
R-1	Alternate Pavement Structures	Jan/18
R-2	No Drawing	Jan/17
R-2A	Typical Cross Sections for Granular Base Pavement Structures	Sep/16
R-2B	No Drawing	Sep/16
R-2C	Alley Pavement Structures	Sep/16
R-2D	Graded and Gravelled Road Rural Area	Sep/16
R-2E	No Drawing	Jan/17
R-2F	Drainage Pipe Clean-out Detail	Jan/17
R-3	Rolled Curb and Gutter	Sep/16
R-4	Curb and Gutter Section With Walk Lip	Sep/16
R-4A	Curb and Gutter Section Without Walk Lip	Sep/16
R-4B	Reverse Curb and Gutter Section	Sep/16
R-5	Centre Median Curb - Standard	Jan/17
R-5A	Hand Formed Centre Median Curb	Sep/16
R-5B	Centre Median Curb Cast on Asphalt Pavement	Sep/16
R-5C	Centre Median Apron	Jan/17
R-5D	Bullnose Center Median – End Treatment	Jan/17
R-6	Concrete Swale Section	Sep/16
R-6B	Arterial Road Catch Basin with Concrete Apron	Jan/17
R-7	Monolithic Walk, Curb and Gutter	Sep/16
R-7A	Reinforced Monolithic Walk, Curb and Gutter	Sep/16
R-7B	Dowel Detail for Cold and Expansion Joints	Sep/16
R-7C	No Drawing	Sep/16
R-7D	No Drawing	Sep/16
R-7E	Combined Walk and Curb	Sep/16
R-7F	Concrete Walk	Sep/16
R-7G	Typical Sidewalk Enhancement	Sep/16
R-8	Edging and Joint Detail	Sep/16
R-9	Pedestrian Crossing – Curb Ramp Details	Apr/17
R-9A	Pedestrian Crossing – Typical Layouts	Apr/17
R-9B	Tactile Marking Tool	Sep/16

R-9C	Pedestrian Crossing - Mid-Block	Apr/17
R-9D	Pedestrian Crossing - Medians	Apr/17
R-9E	Pedestrian Crossing – Typical layout – Short Radius	Apr/17
R-10	Combined Concrete Walk, Cur and Gutter Crossing	Sep/16
R-10A	No Drawing	Sep/16
R-10B	Concrete Curb and Gutter Crossing	Dec/16
R-10C	Curb and Gutter Crossing with Boulevard	Sep/16
R-11	Catch Basin Box-Out (Rolled Curb)	Jan/17
R-11A	Catch Basin Box-Out (Barrier Curb and Gutter) Box-	Jan/17
R-11B	out for Side Inlet Catch Basins (Barrier Curb) Box-	Jan/17
R-11C	out for Side Inlet Catch Basins (Rolled Curb) Box-	Jan/17
R-11D	out for Arterial Style Catch Basin (Barrier Curb) No	Jan/17
R-11E	No Drawing	Jan/17
R-12	Concrete Isolation Details	Jan/17
R-13	No Drawing	Jan/17
R-14	No Drawing	Jan/17
R-15	Precast Concrete Curb	Sep/16
R-15A	Hydraulically Pressed Concrete Curb	Sep/16
R-16	Chain Link Fence Type "A"	Apr/17
R-16A	Chain Link Fence Type "A" - Banding Details Chain	Jan/17
R-17A	Link Fence Type "B"	Jan/17
R-17B	Gate Detail Type "B"	Jan/17
R-18	Rate of Evaporation Nomograph	Sep/16
R-19	Hoarding for Walkway	Jul/10
R-20	W-Beam Elements and End Sections	Jan/17
R-21	Culvert Installation	Jan/17

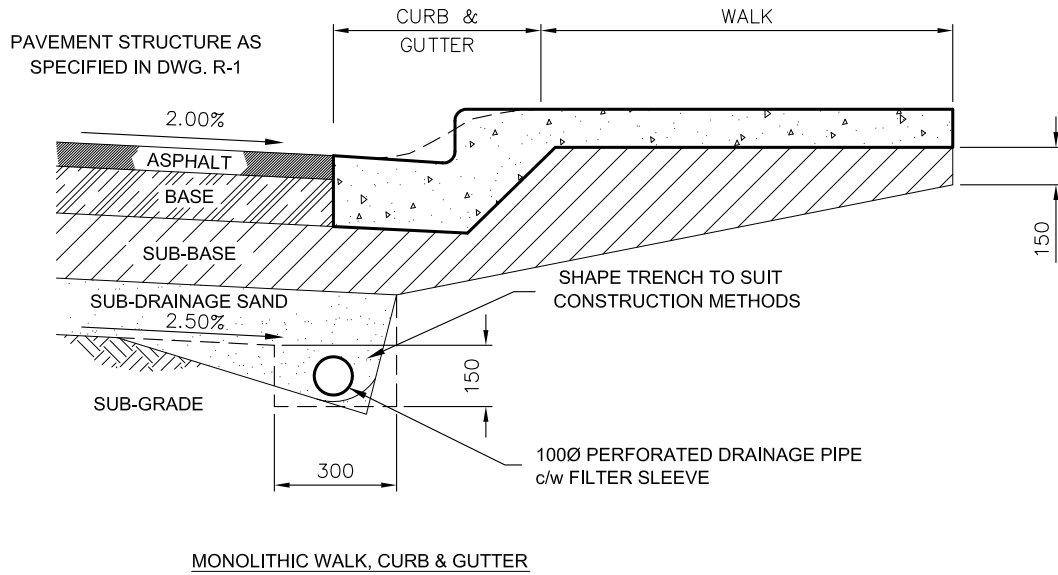
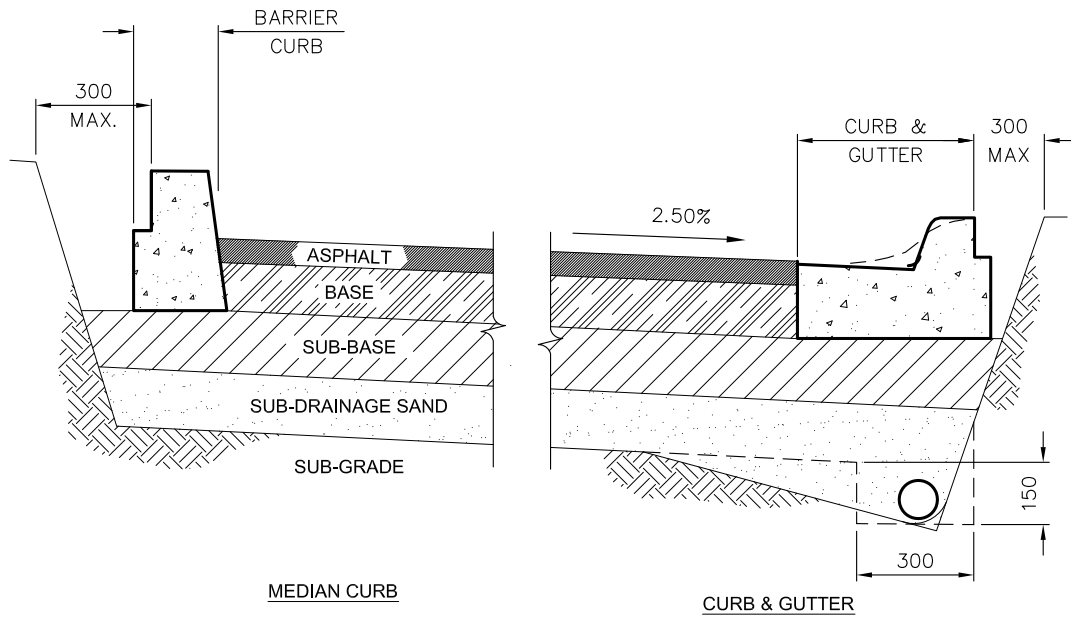
PAVEMENT DESIGN

<u>CLASS OF STREET</u>	<u>FULL DEPTH ASPHALT</u>	<u>PORTLAND CEMENT CONCRETE</u>	<u>ASPHALT GRANULAR</u>
1) LOCAL	150 A.C.	190 P.C.C. 50 BASE	50 A.C. NOTE 7 150 BASE 150 SUB BASE 150 DRAINAGE SAND
2) COLLECTOR	225 A.C.	200 P.C.C. 75 BASE	85 A.C. 170 BASE 200 SUB BASE 150 DRAINAGE SAND
3) BUS ROUTE (RESIDENTIAL)	225 A.C.	200 P.C.C. 75 BASE	85 A.C. 170 BASE 200 SUB BASE 150 DRAINAGE SAND
4) BUS ROUTE (CORE)	240 A.C.	210 P.C.C. 75 BASE	95 A.C. 170 BASE 230 SUB BASE 150 DRAINAGE SAND
5) INDUSTRIAL	240 A.C.	210 P.C.C. 75 BASE	95 A.C. 170 BASE 230 SUB BASE 150 DRAINAGE SAND
6) MINOR ARTERIAL 5% COMMERCIAL	250 A.C.	220 P.C.C. 100 BASE	100 A.C. 180 BASE 230 SUB BASE 150 DRAINAGE SAND
7) MINOR ARTERIAL 10% COMMERCIAL	265 A.C.	230 P.C.C. 100 BASE	115 A.C. 180 BASE 250 SUB BASE 150 DRAINAGE SAND

NOTES

- THE DESIGN THICKNESS INDICATED ABOVE REPRESENTS THE MINIMUM STRUCTURE REQUIRED.
- A PAVEMENT DESIGN IS REQUIRED FOR MAJOR ARTERIALS, EXPRESSWAYS, AND FREEWAYS.
- ALTERNATE PAVEMENT STRUCTURES MAY BE USED SUBJECT TO CITY APPROVAL.
- PERFORATED DRAINAGE PIPE, AS SHOWN ON DRAWING No. R-2A, IS REQUIRED WITH GRANULAR BASE STRUCTURES
- ALL DIMENSIONS ARE IN MILLIMETRES UNLESS OTHERWISE SHOWN.
- ALL MATERIALS BASED ON CITY OF REGINA STANDARD CONSTRUCTION SPECIFICATIONS.
- MIN THICKNESS OF AC IS 50mm FOR LOCAL ROADS. PREFERRED MINIMUM THICKNESS IS 80mm.

Date	Revisions	By	CONSTRUCTION STANDARDS		
JAN/01	CEMENT DESIGNATION	J.H.	 Alternate Pavement Structures		
JAN/03	TITLE BLOCK	MLG			
DEC/06	COLLECTOR STRUCTURE	J.H.			
JUL/10	TITLE BLOCK	JJA			
SEP/16	SPEC REVIEW & UPDATE	TSY			
JAN/18	ADDED NOTE 7	BW			
			Designed By:		Approved: Dustin McCall
			Date	Scale	R-1
			SEP/16	NTS	
			Digital File: STDR-1.dwg		



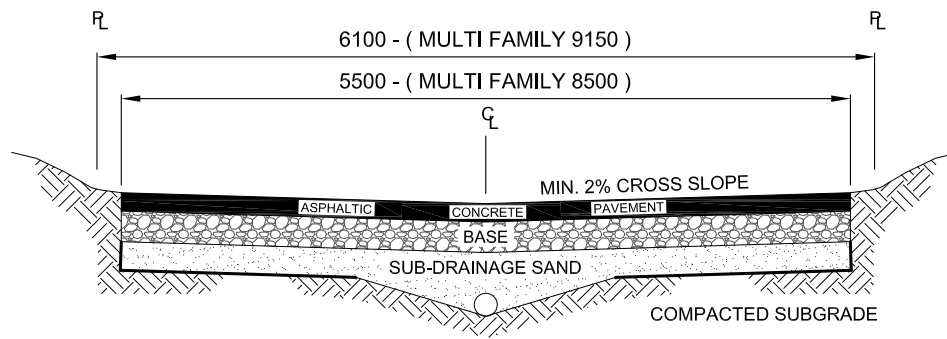
NOTE:

1. ALL DIMENSIONS ARE IN MILLIMETRES UNLESS OTHERWISE NOTED.

Date	Revisions	By
JAN/03	GRANULAR DEPTH AT BOW	J.H.
JAN/03	TITLE BLOCK	MLG
JUL/10	TITLE BLOCK	JJA
SEP/16	SPEC REVIEW & UPDATE	TSY



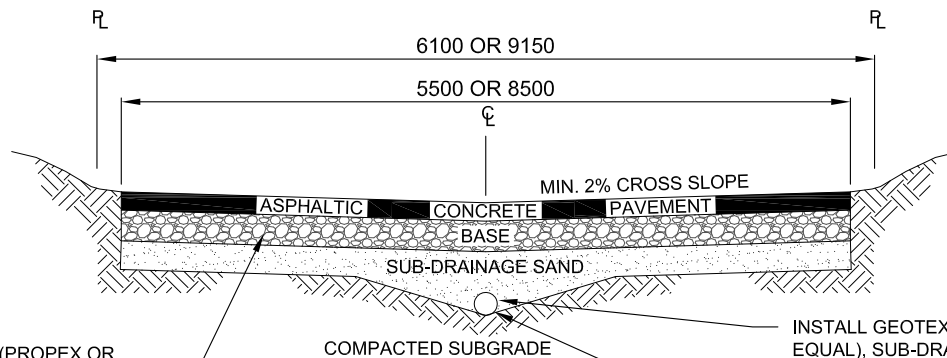
CONSTRUCTION STANDARDS		
Typical Cross Sections for Granular Base Pavement Structures		
Designed By:	Approved: Dustin McCall	
Date: SEP/16	Scale: NTS	R-2A
Digital File: STDR-2A.dwg		



PAVEMENT STRUCTURES

50 ASPHALTIC CONCRETE PAVEMENT	OR	50 ASPHALTIC CONCRETE PAVEMENT	OR	110 FULL DEPTH ASPHALT
90 SAND ASPHALT BASE		250 GRANULAR BASE COURSE		150 SUB-DRAINAGE SAND
150 SUB-DRAINAGE SAND		150 SUB-DRAINAGE SAND		

RESIDENTIAL ZONE



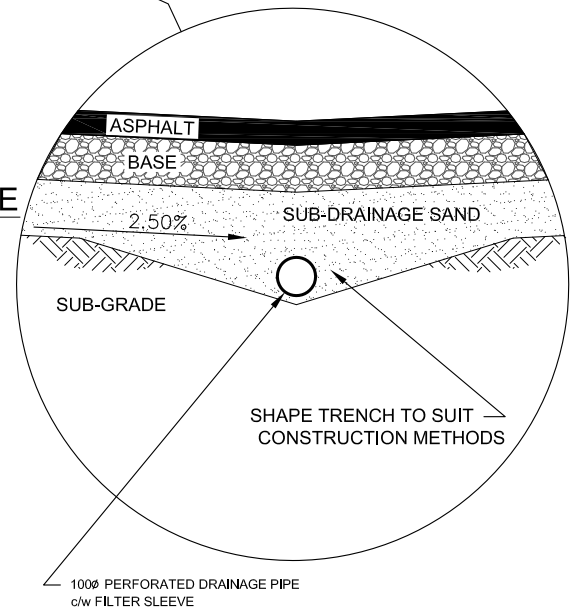
INSTALL GEOTEXTILE (PROPEX OR APPROVED EQUAL) WHERE GROUND CONDITIONS WARRANT INSTALLATION

COMPACTED SUBGRADE
PAVEMENT STRUCTURES

INSTALL GEOTEXTILE (PROPEX OR APPROVED EQUAL), SUB-DRAINAGE SAND AND PERFORATED DRAINAGE PIPE. CONNECT TO CATCH BASIN WHERE THEY EXIST IN ALLEYS.

50 ASPHALTIC CONCRETE PAVEMENT
350 GRANULAR BASE COURSE
150 SUB-DRAINAGE SAND
OR
140 FULL DEPTH ASPHALT

COMMERCIAL OR INDUSTRIAL ZONE



NOTES:

1. ALL DIMENSIONS ARE IN MILLIMETRES UNLESS OTHERWISE NOTED.
2. IF PAVED PARKING LOT ABUTTS ALLEY THEN EXTEND ALLEY PAVEMENT TO PROPERTY LINE .
3. GRADE LIMITS 0.6% - 6.0%

Date	Revisions	By
JAN/02	GRANULAR BASE COURSE	J.H.
JAN/03	TITLE BLOCK	MLG
DEC/06	SUB DRAINAGE DETAIL	J.H.
DEC/08	SUB DRAINAGE DETAIL	PV
JUL/10	TITLE BLOCK	JJA
SEP/16	SPEC REVIEW & UPDATE	TSY



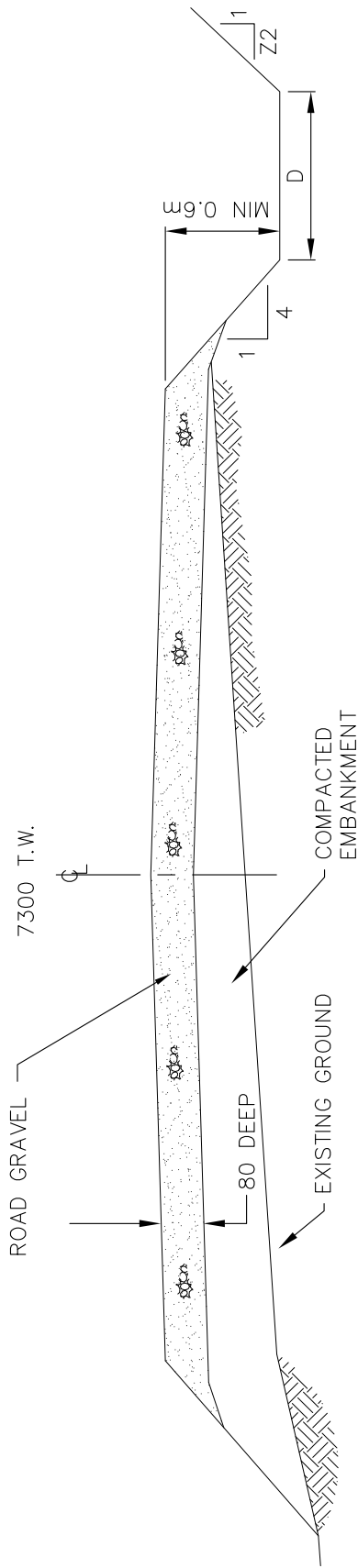
CONSTRUCTION STANDARDS		
Alley Pavement Structures		
Designed By:	Approved: Dustin McCall	
Date: SEP/16	Scale: NTS	R-2C
Digital File: STD-2C.dwg		

CROWN

3% CROSS SLOPE

SIDE SLOPE

4:1 MINIMUM



D = 3.0 MIN, 5.0 PREFERRED.
Z2 = 3.0 MIN, 4.0 PREFERRED.

Z1 = 4.0 UP TO 1.5m FILL
3.0 > 1.5m FILL

TYPICAL CROSS SECTION

NOTE:

1. ALL DIMENSIONS ARE IN MILLIMETRES UNLESS OTHERWISE NOTED.
2. TO BE USED FOR AADT (AVERAGE ANNUAL DAILY TRAFFIC) < 500 VPD (VEHICLES PER DAY)

Date	Revisions	By
JAN/03	SIDE SLOPE	J.H.
JAN/03	TITLE BLOCK	MLG
JUL/10	TITLE BLOCK	JJA
SEP/16	SPEC REVIEW & UPDATE	TSY

City of Regina



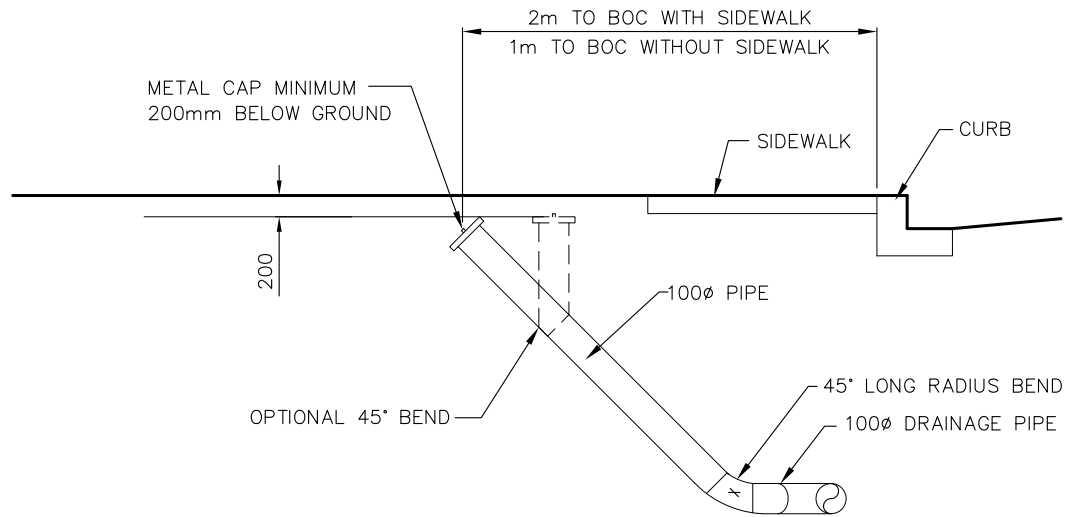
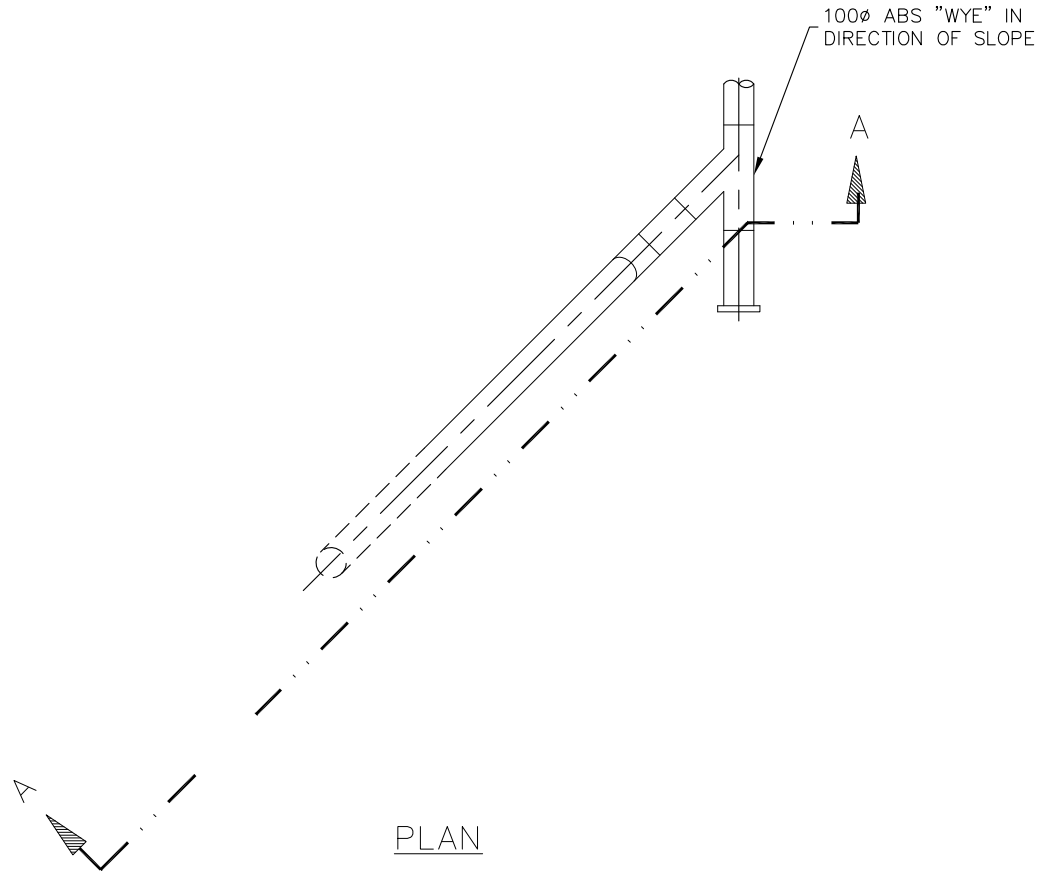
CONSTRUCTION STANDARDS

Graded and Gravelled Road
Rural Area

Designed By: _____ Approved: Dustin McCall

Date: SEP/16 Scale: NTS R-2D

Digital File: STRD-2D.dwg



NOTE:

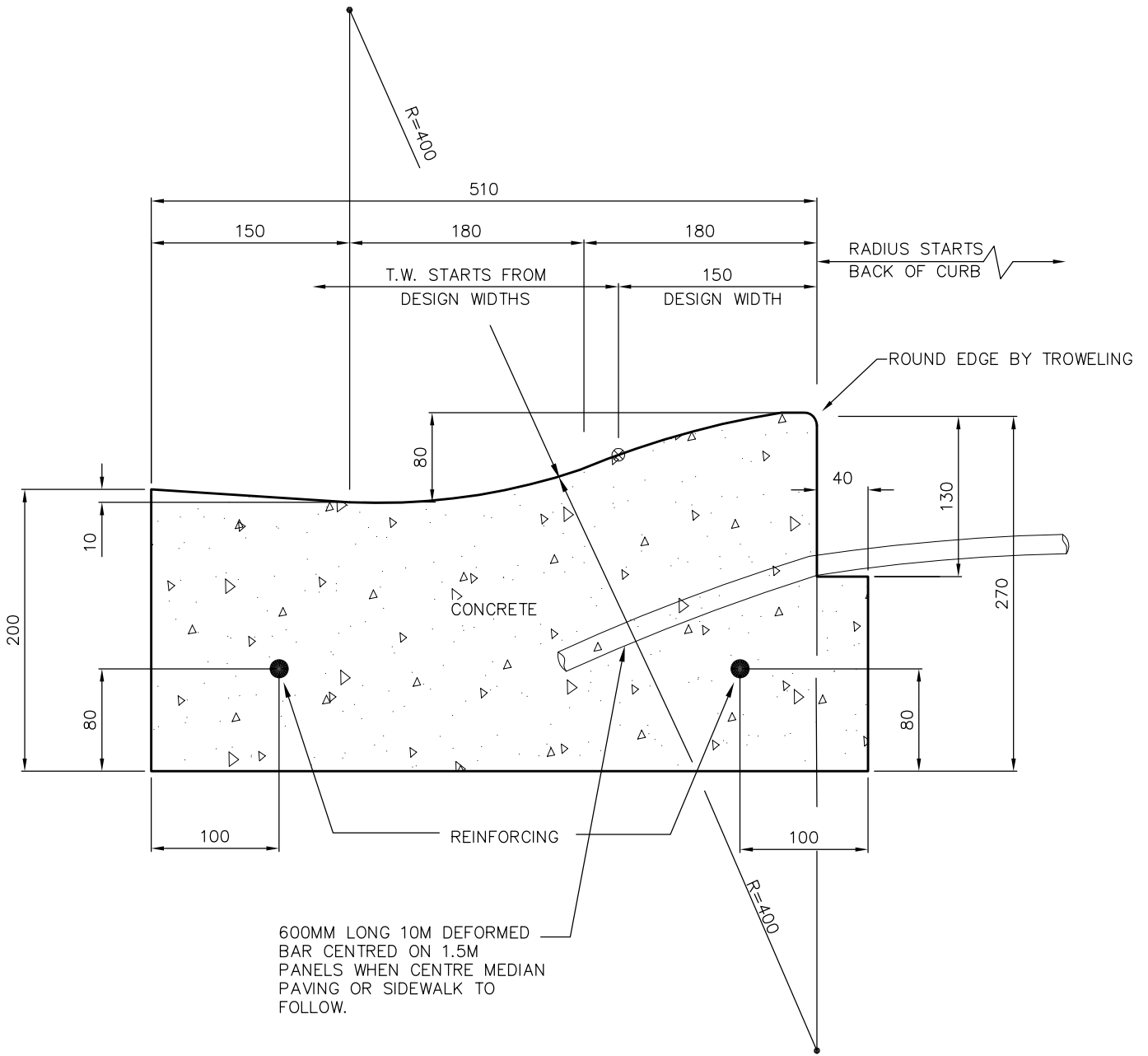
1. ALL DIMENSIONS ARE MILLIMETRES UNLESS OTHERWISE NOTED.
2. NOTE LOCATION OF CLEAN-OUT ON AS-BUILT.

SECTION A-A

Date	Revisions	By
JAN/03	CAP LOCATION	J.H.
JAN/03	TITLE BLOCK	MLG
JUL/10	TITLE BLOCK	JJA
SEP/16	SPEC REVIEW CHANGES	TSY



CONSTRUCTION STANDARDS		
Drainage Pipe Clean-out Detail		
Designed By:	Approved: Dustin McCall	
Date: SEP/16	Scale: NTS	R-2F
Digital File: STDR-2F.dwg		



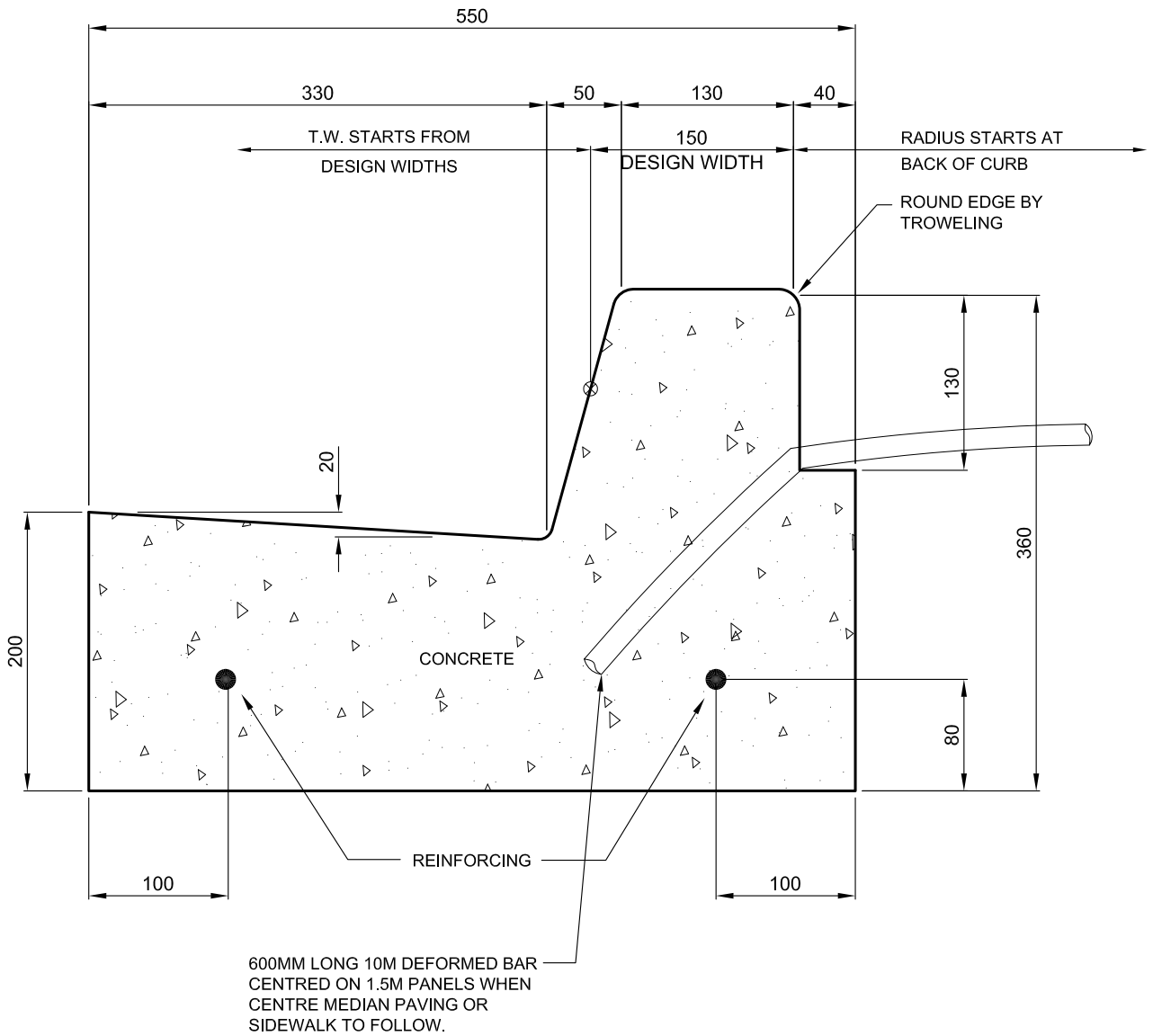
NOTES:

1. ALL DIMENSIONS ARE MILLIMETRES UNLESS OTHERWISE NOTED.
2. 10 M REINFORCING REQUIRED:
 - INDUSTRIAL AND COMMERCIAL AREAS
 - AT INTERSECTIONS ON RADII

Date	Revisions	By
JAN/03	DEFORMED BAR; NOTE 2	J.H.
JAN/03	TITLE BLOCK	MLG
JUL/10	TITLE BLOCK	JJA
SEP/16	SPEC REVIEW CHANGES	TSY

City of Regina | **REGINA**
Infinite Horizons

CONSTRUCTION STANDARDS			
Rolled Curb and Gutter			
Designed By:		Approved: Dustin McCall	
Date	Scale	R-3	
SEP/16	NTS		
Digital File: STRD-3.dwg			



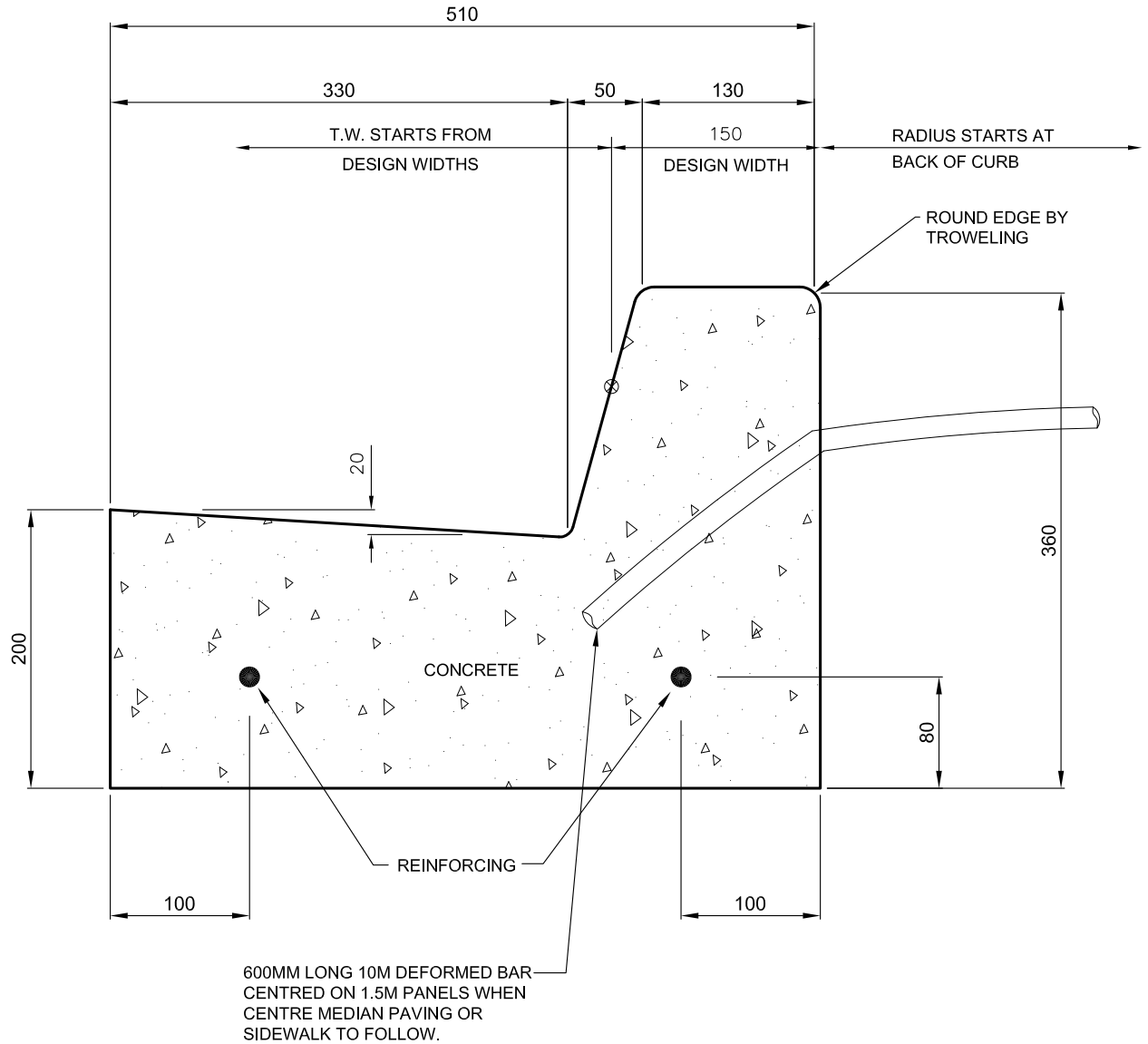
NOTES:

1. ALL DIMENSIONS ARE IN MILLIMETRES UNLESS OTHERWISE NOTED.
2. 10M REINFORCING REQUIRED AT INTERSECTIONS ON RADII AND IN COMMERCIAL AND INDUSTRIAL AREAS. MAY BE OMITTED IN RESIDENTIAL AREAS IF CURB & GUTTER CAST CONCURRENTLY WITH WALK.

Date	Revisions	By
JAN/03	DEFORMED BAR; NOTE 2	J.H.
JAN/03	TITLE BLOCK	MLG
DEC/08	NOTE 2	J.H.
JUL/10	TITLE BLOCK	JJA
SEP/16	SPEC REVIEW CHANGES	TSY



CONSTRUCTION STANDARDS		
Curb and Gutter Section with Walk Lip		
Designed By:	Approved: Dustin McCall	
Date: SEP/16	Scale: NTS	R-4
Digital File: STRD-4.DWG		



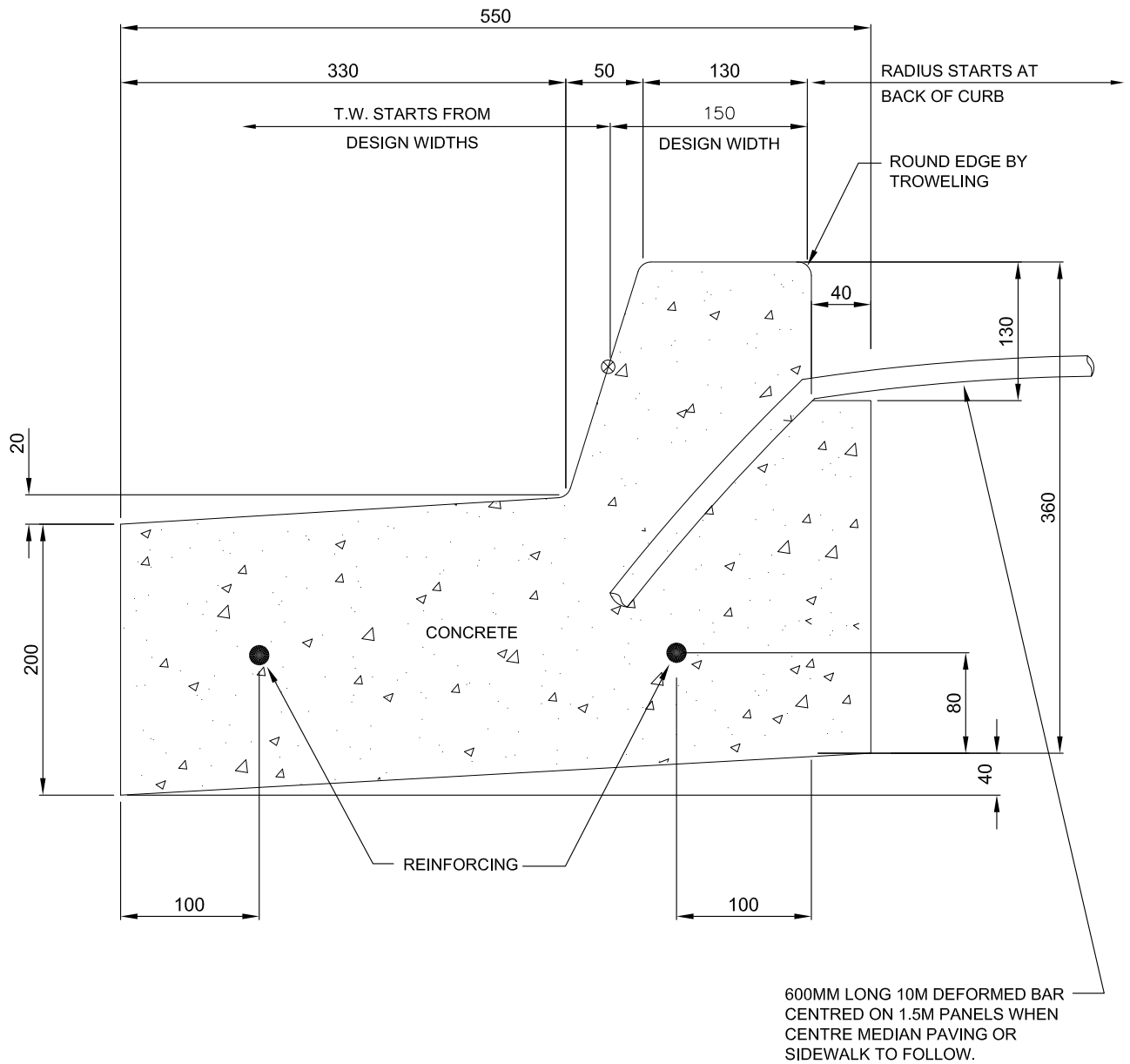
NOTES:

1. ALL DIMENSIONS ARE IN MILLIMETRES UNLESS OTHERWISE NOTED.
2. 10M REINFORCING REQUIRED AT INTERSECTIONS ON RADII AND IN COMMERCIAL AND INDUSTRIAL AREAS. MAY BE OMITTED IN RESIDENTIAL AREAS IF CURB & GUTTER CAST CONCURRENTLY WITH WALK.

Date	Revisions	By
JAN/03	DEFORMED BAR; NOTE 2	J.H.
JAN/03	TITLE BLOCK	MLG
DEC/06	NOTE 2	J.H.
JUL/10	TITLE BLOCK	JJA
SEP/16	SPEC REVIEW CHANGES	TSY



CONSTRUCTION STANDARDS		
Curb and Gutter Section without Walk Lip		
Designed By:	Approved: Dustin McCall	
Date SEP/16	Scale NTS	R-4A
Digital File: STR-4A.dwg		



NOTES:

1. ALL DIMENSIONS ARE IN MILLIMETRES UNLESS OTHERWISE NOTED.
2. 10M REINFORCING REQUIRED AT INTERSECTIONS ON RADII AND IN COMMERCIAL AND INDUSTRIAL AREAS. MAY BE OMITTED IN RESIDENTIAL AREAS IF CURB & GUTTER CAST CONCURRENTLY WITH WALK.

Date	Revisions	By
JAN/02	LIP AT BOC; TIE BAR	J.H.
JAN/03	NOTE 2	J.H.
JAN/03	TITLE BLOCK	MLG
JUL/10	TITLE BLOCK	JJA
SEP/16	SPEC REVIEW CHANGES	TSY

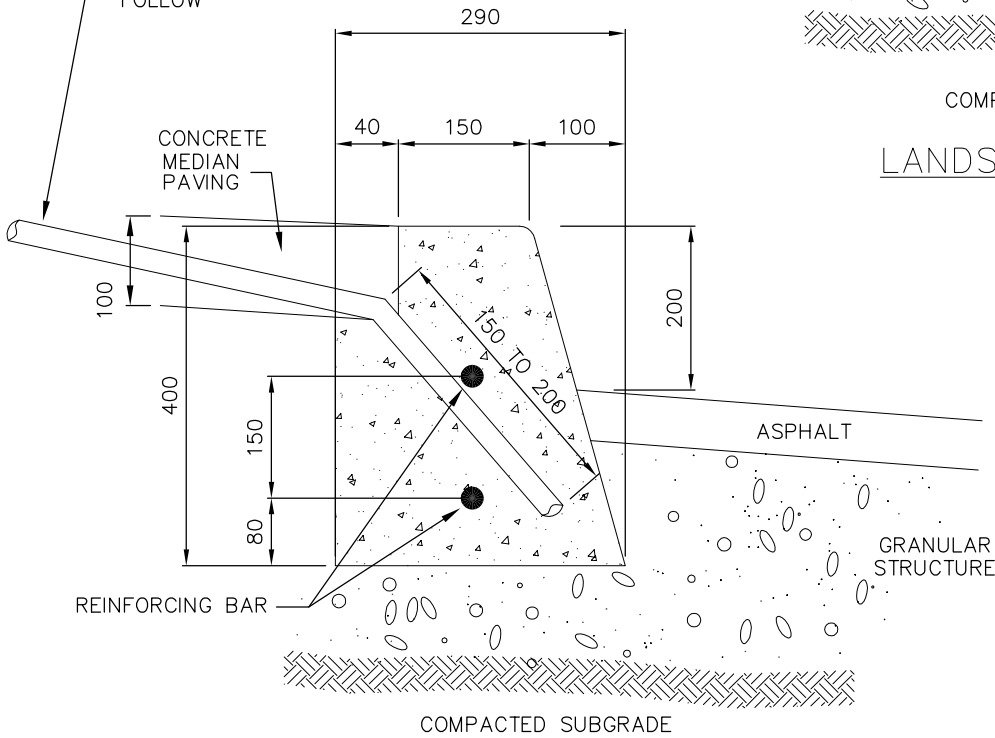


CONSTRUCTION STANDARDS		
Reverse Curb and Gutter Section		
Designed By:	Approved: Dustin McCall	
Date: SEP/16	Scale: NTS	R-4B
Digital File: STR-4B.dwg		

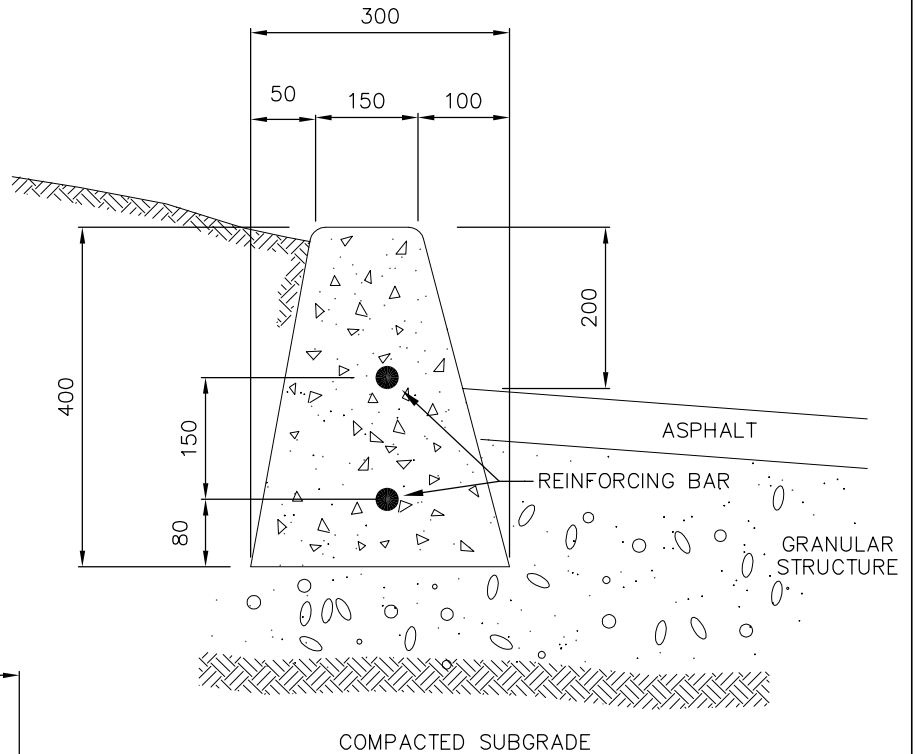
MEDIAN MAINTENANCE ACCESS

LOCATIONS AS SHOWN ON THE PLANS OR AS DIRECTED BY THE ENGINEER

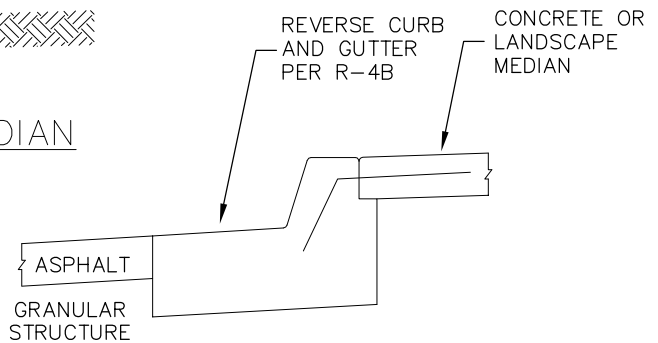
800MM LONG 10M DEFORMED BAR CENTRED ON 1.5M PANELS WHEN CENTRE MEDIAN PAVING TO FOLLOW



HARD SURFACE MEDIAN



LANDSCAPED MEDIAN



REVERSE CURB OPTION

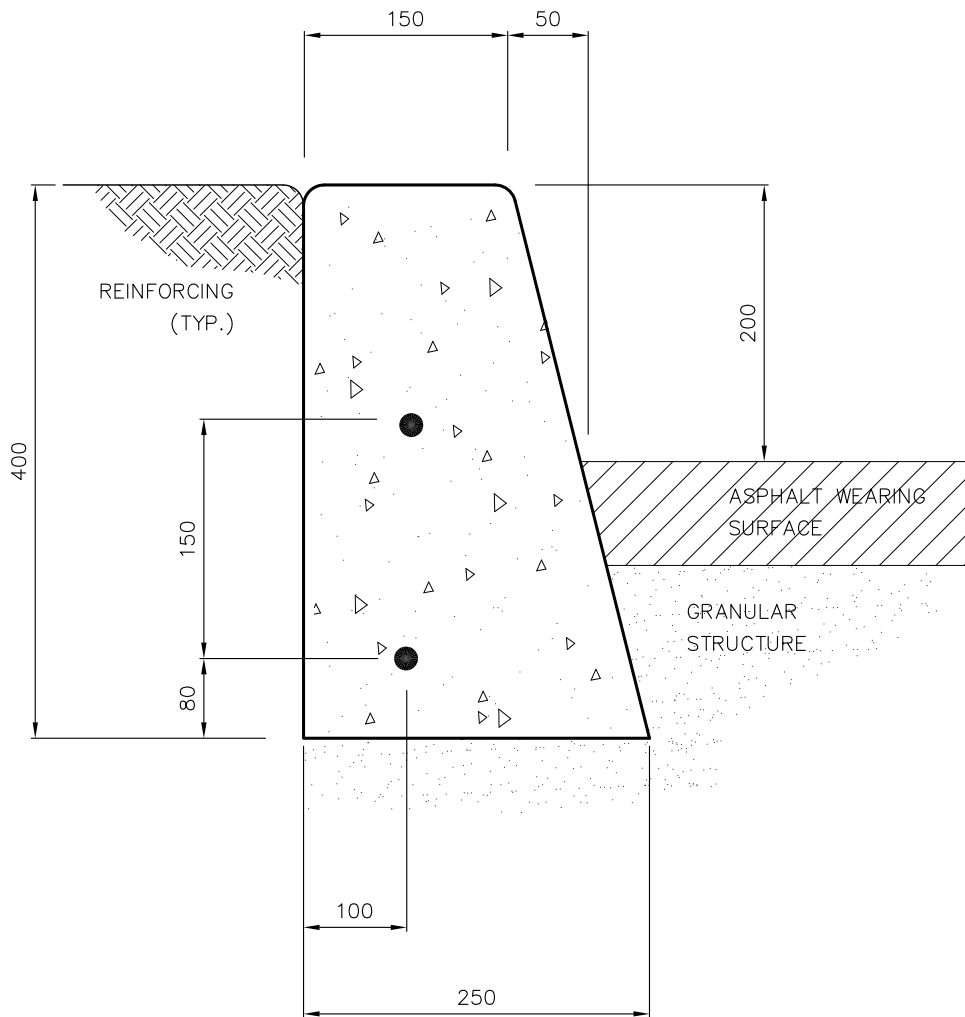
NOTES:

- 10M REINFORCED BARS TO BE USED ON CURVED SECTIONS.
- ALL DIMENSIONS ARE IN MILLIMETRES UNLESS OTHERWISE NOTED.

Date	Revisions	By
JAN/02	DIMENSIONS; TIE BAR	J.H.
JAN/03	TITLE DESCRIPTION	J.H.
JAN/03	TITLE BLOCK	MLG
JUL/10	TITLE BLOCK	JJA
JAN/17	SPEC REVIEW CHANGES	BW



CONSTRUCTION STANDARDS		
Centre Median Curb Standard		
Designed By:	Approved: Dustin McCall	
Date: JAN/98	Scale: NTS	R-5
Digital File: STDR-5.dwg		



NOTES:

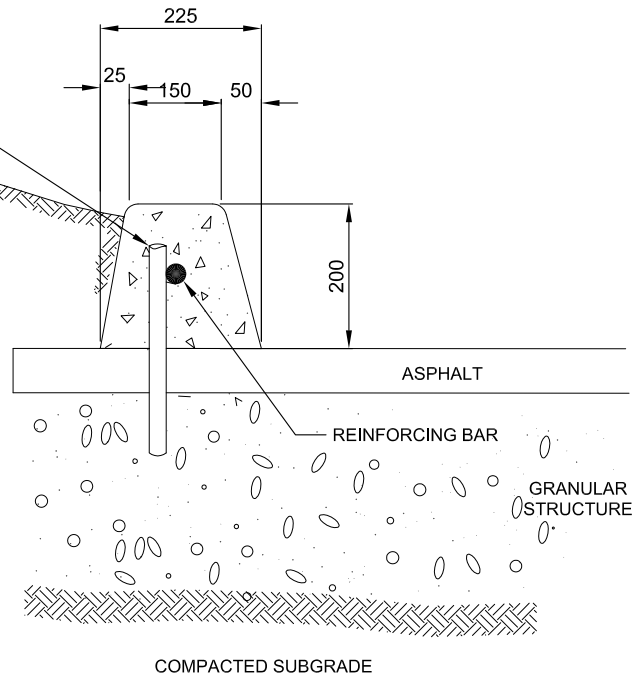
1. ALL DIMENSIONS ARE IN MILLIMETRES UNLESS OTHERWISE NOTED.
2. 10M REINFORCING BARS TO BE USED ON BULL NOSES.
3. ON RADII OF LESS THAN 3 METERS, THE FRONT FACE MAY BE VERTICAL.
4. DOWEL NEW CURB TO EXISTING CURB IF REQUIRED

Date	Revisions	By
JAN/03	NOTE 2	J.H.
JAN/03	TITLE BLOCK	MLG
JUL/10	TITLE BLOCK	JJA
SEP/16	SPEC REVIEW CHANGES	TSY



CONSTRUCTION STANDARDS		
Hand Formed Centre Median Curb		
Designed By:	Approved: Dustin McCall	
Date: SEP/16	Scale: NTS	R-5A
Digital File: STR-5A.dwg		

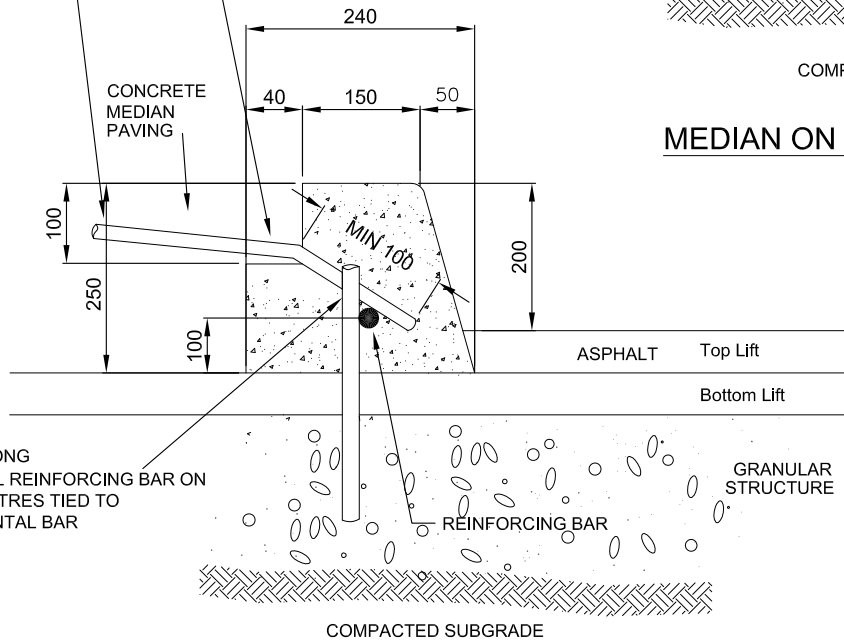
500mm LONG
VERTICAL REINFORCING BAR ON
1.5 m CENTRES TIED TO
HORIZONTAL BAR



MEDIAN ON TOP LIFT OF ASPHALT

PROVIDE 100mm by 40mm LIP
EXCEPT WHEN
HAND FORMING

800m LONG 10M
DEFORMED BAR CENTRED
ON 1.5M PANELS WHEN
CENTRE MEDIAN PAVING
TO FOLLOW



MEDIAN ON BOTTOM LIFT OF ASPHALT

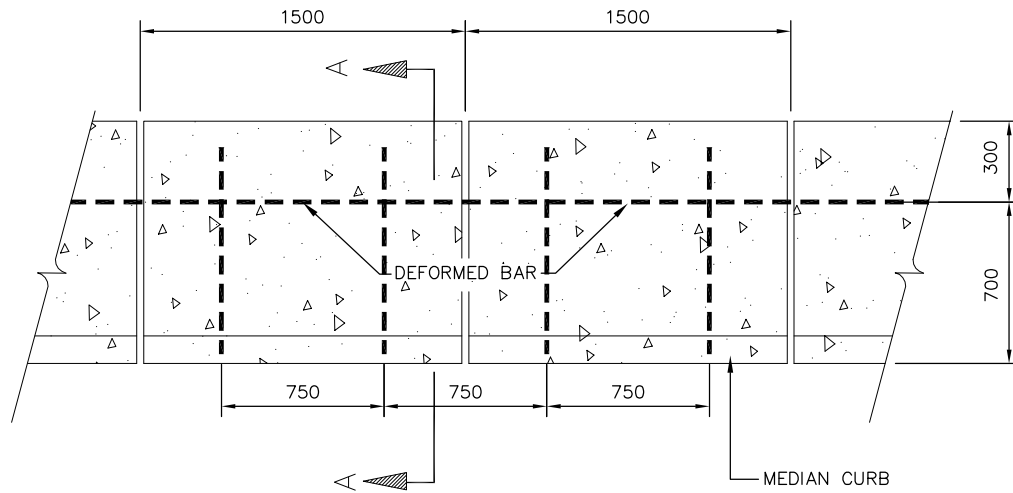
NOTES:

1. 10M REINFORCED BARS TO BE USED VERTICALLY AND HORIZONTALLY ON ALL SECTIONS.
2. ALL DIMENSIONS ARE IN MILLIMETRES UNLESS OTHERWISE NOTED.

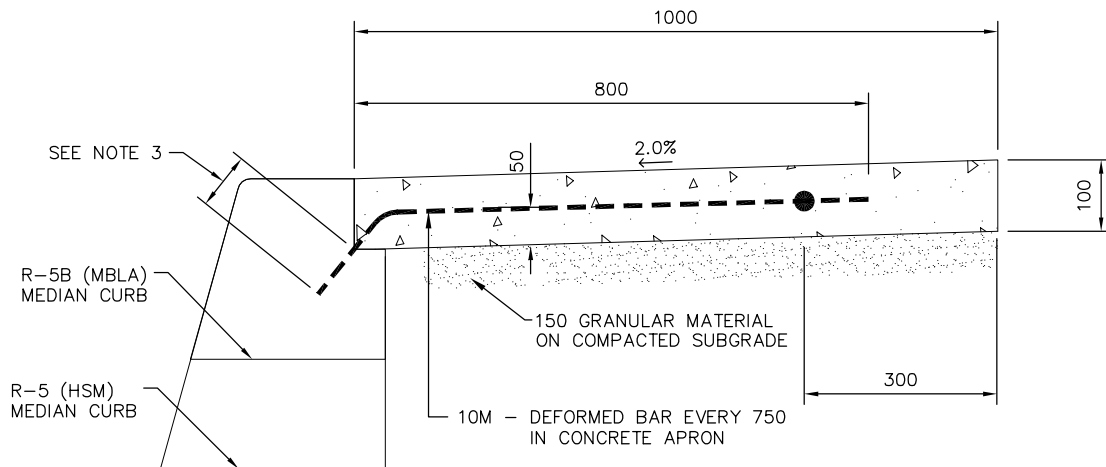
Date	Revisions	By
JAN/03	TITLE BLOCK	MLG
DEC/06	VERTICAL BAR SPACING	J.H.
JUL/10	TITLE BLOCK	JJA
SEP/16	SPEC REVIEW CHANGES	TSY



CONSTRUCTION STANDARDS		
Centre Median Curb Cast on Asphaltic Pavement		
Designed By:	Approved: Dustin McCall	
Date: SEP/16	Scale: NTS	R-5B
Digital File: STR-5B.dwg		



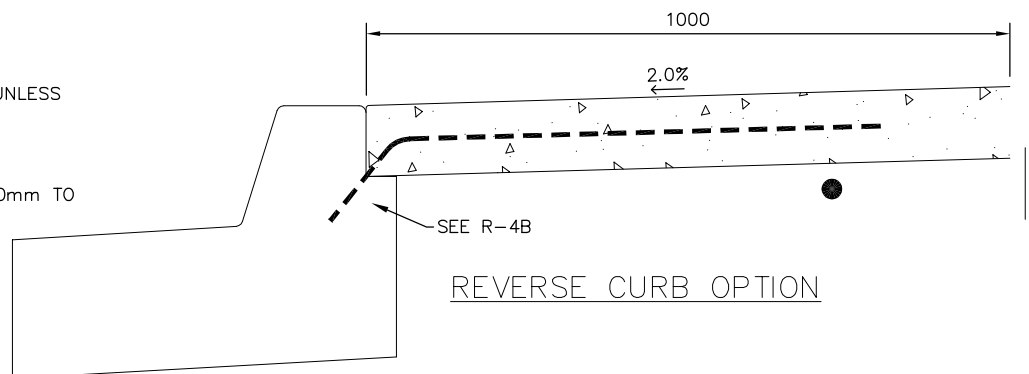
PLAN



SECTION A-A

NOTES:

1. ALL DIMENSIONS ARE IN MILLIMETRES UNLESS OTHERWISE NOTED.
2. CONTRACTION JOINTS EVERY 1500
3. MINIMUM 100mm LONG FOR R-5B; 150mm TO 200mm LONG FOR R-5

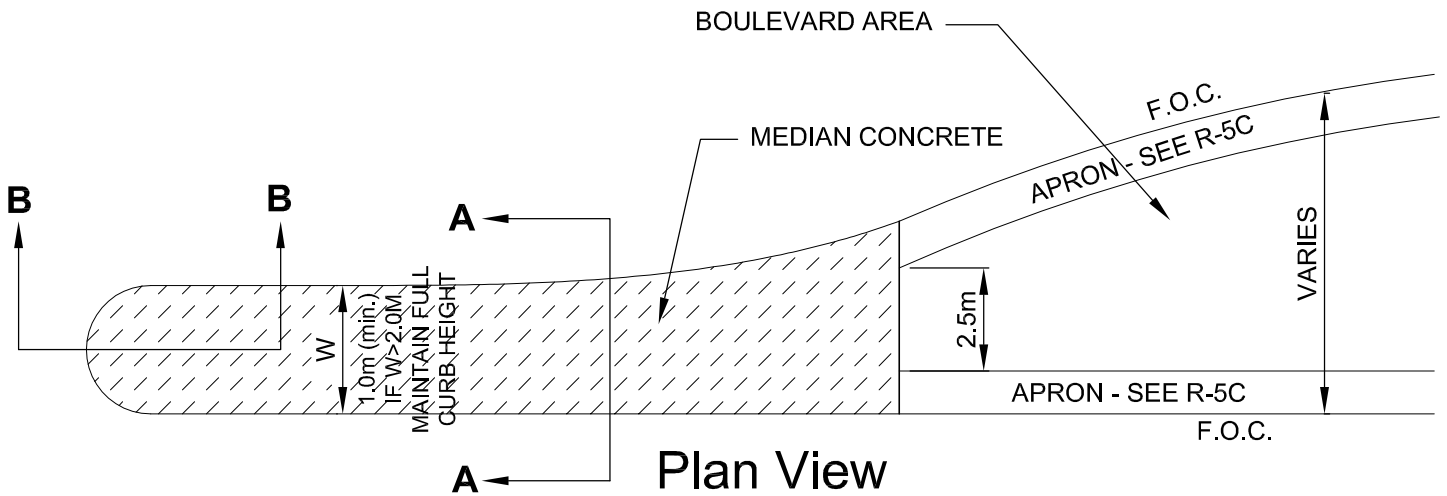


REVERSE CURB OPTION

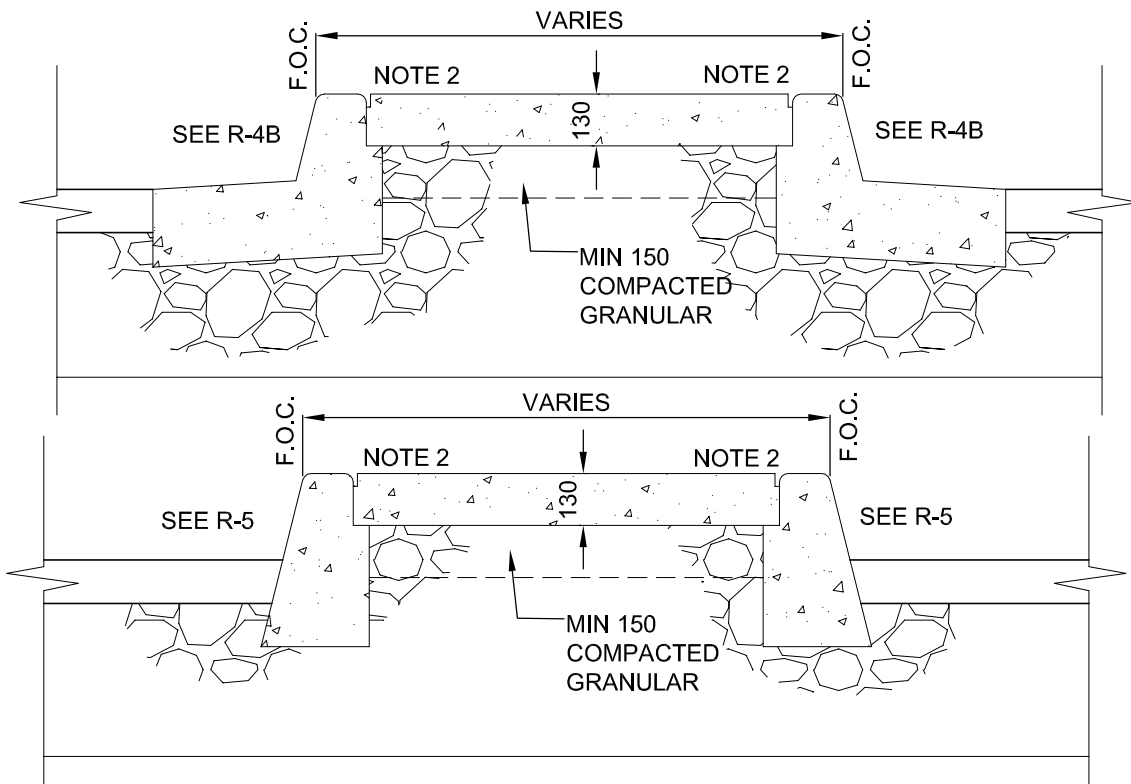
Date	Revisions	By
JUL/10	TITLE BLOCK	JJA
JAN/17	SPEC REVIEW CHANGES	TSY



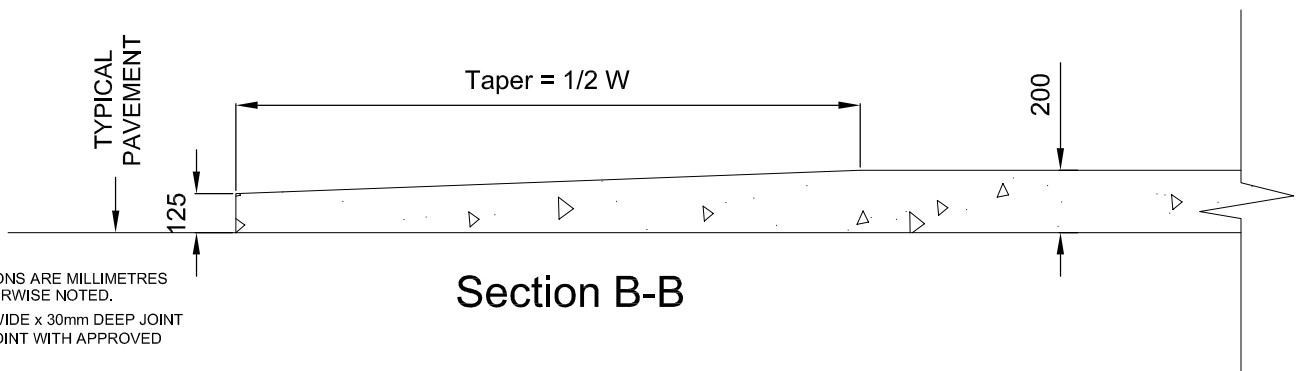
CONSTRUCTION STANDARDS		
Centre Median Apron		
Designed By:	Approved: Dustin McCall	
Date	Scale	R-5C
SEP/16	NTS	
Digital File: STDR-5C.dwg		



Plan View



Section A-A



Section B-B

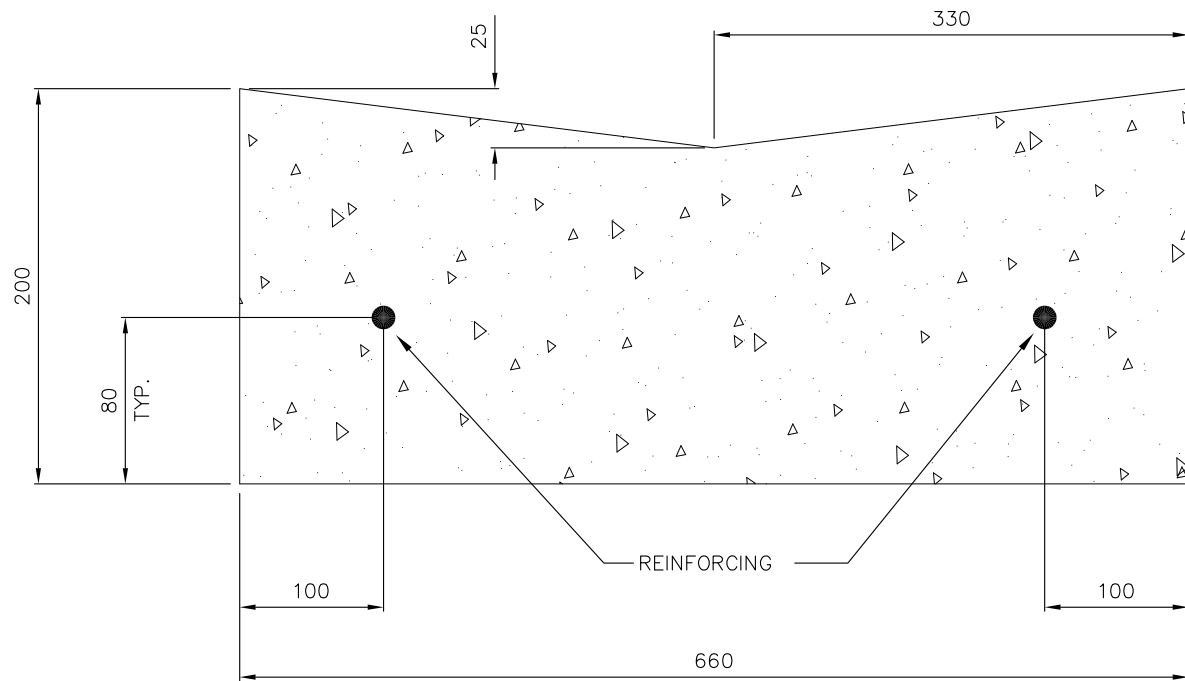
NOTES:

1. ALL DIMENSIONS ARE MILLIMETRES UNLESS OTHERWISE NOTED.
2. LEAVE 10mm WIDE x 30mm DEEP JOINT AT TOP FILL JOINT WITH APPROVED JOINT SEALER

Date	Revisions	By
DEC/08	CREATED STANDARD DETAIL DRAWING	RAA
MAR/10	UPDATED STANDARD DETAIL DRAWING	ELB
JUL/10	TITLE BLOCK	JJA
JAN/17	SPEC REVIEW CHANGES	TSY



CONSTRUCTION STANDARDS		
Bullnose		
Centre Median - End Treatment		
Designed By:	Approved: Dustin McCall	
Date: SEP/16	Scale: NTS	R-5D
Digital File: STDR-5D.dwg		



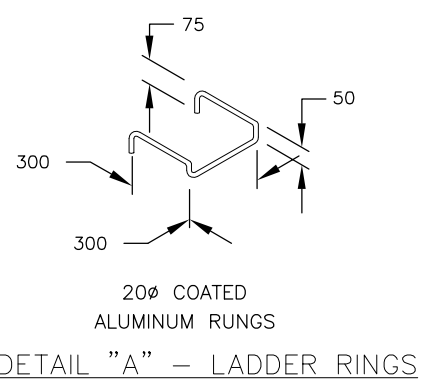
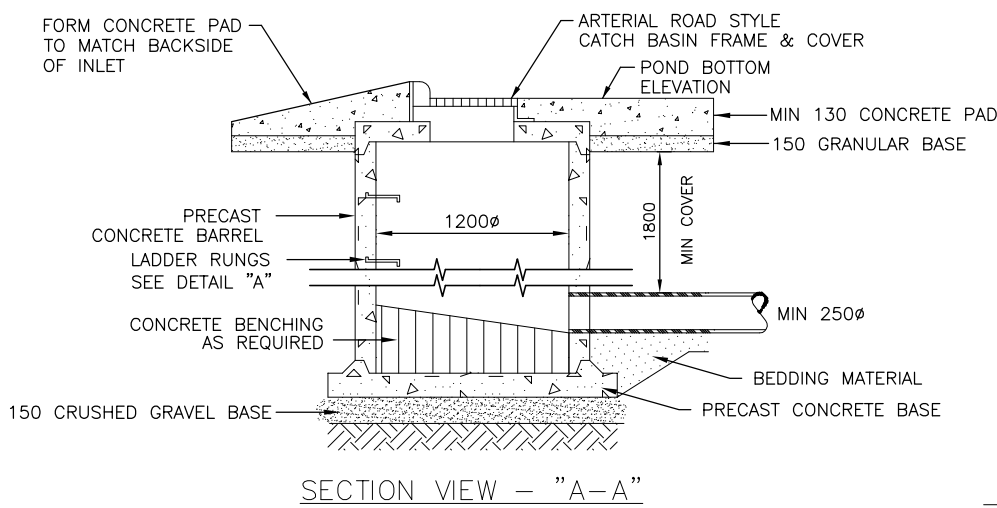
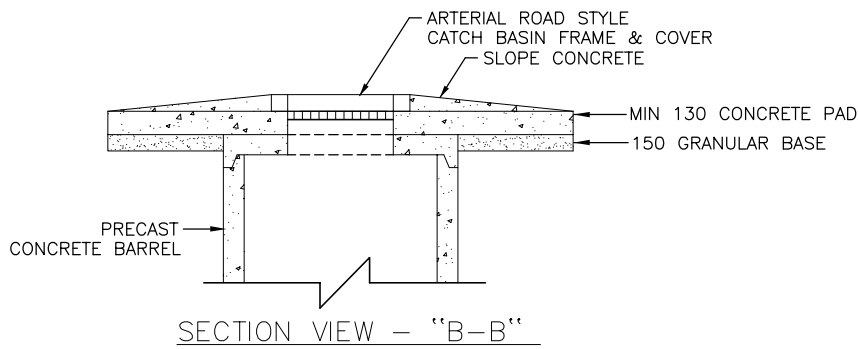
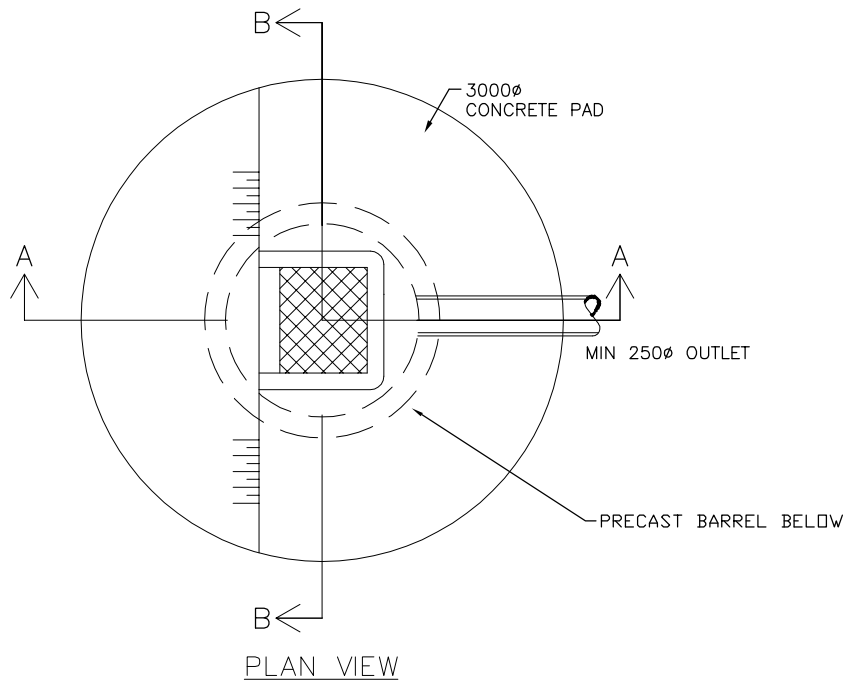
NOTES:

1. ALL DIMENSIONS ARE IN MILLIMETRES UNLESS OTHERWISE NOTED.
2. REINFORCE COMMERCIAL AND INDUSTRIAL CROSSINGS.
3. REFER TO R-10A FOR TYPICAL APPLICATION

Date	Revisions	By
JAN/01	REINFORCING COVER	
JAN/02	NOTE 3 ADDED	J.H.
JAN/03	TITLE BLOCK	MLG
JUL/10	TITLE BLOCK	JJA
SEP/16	SPEC REVIEW CHANGES	TSY



CONSTRUCTION STANDARDS		
Concrete Swale Section		
Designed By:	Approved: Dustin McCall	
Date: SEP/16	Scale: NTS	R-6
Digital File: STRD-6.dwg		



NOTES:
 1. ALL DIMENSIONS ARE MILLIMETRES UNLESS OTHERWISE NOTED.

INLET STRUCTURE DETAIL

Date	Revisions	By
JUL/10	TITLE BLOCK	JJA
JAN/17	SPEC REVIEW CHANGES	TSY

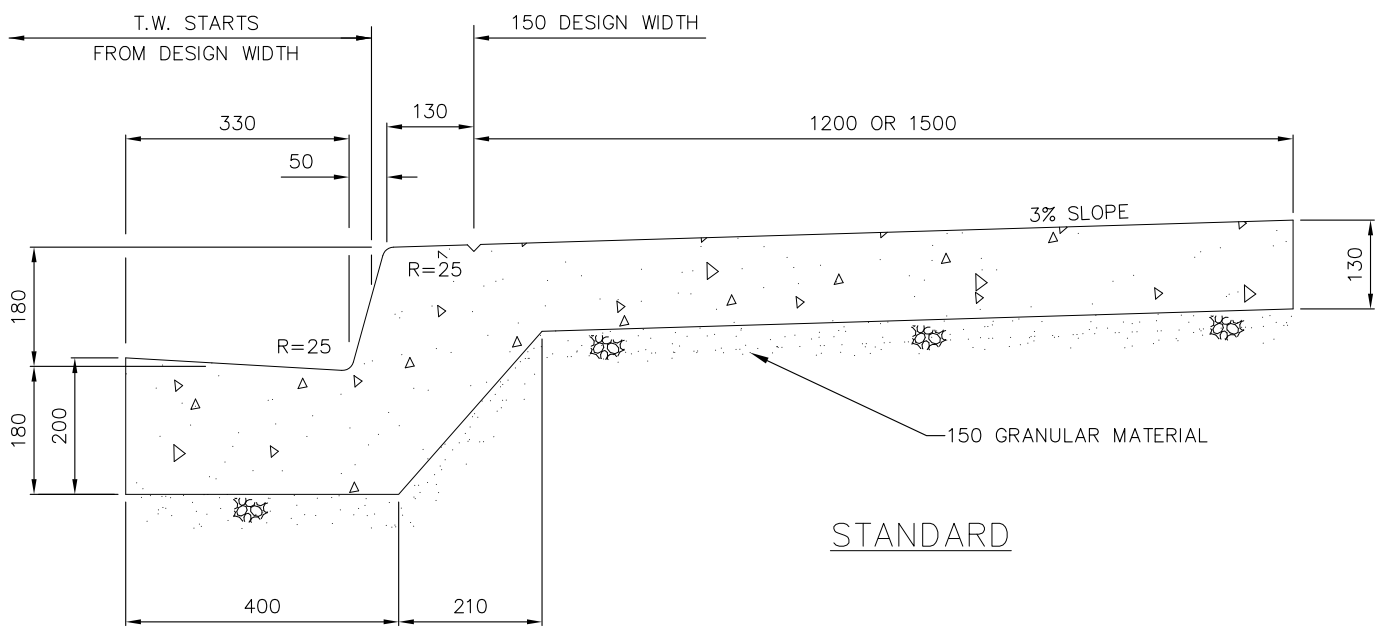
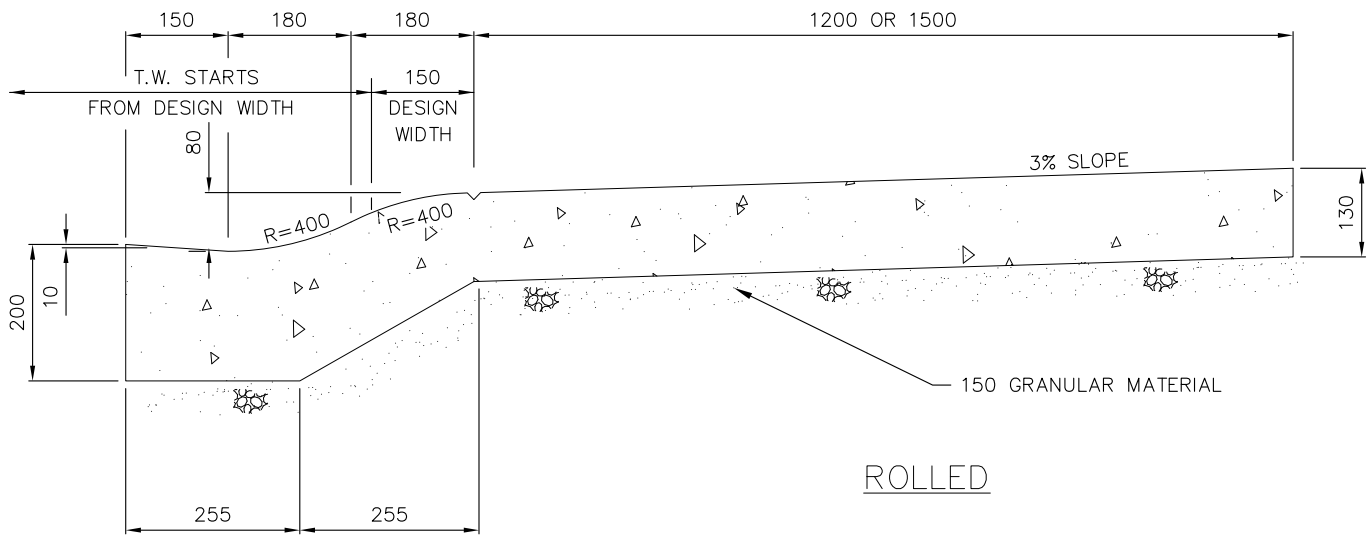
City of Regina | **REGINA**
Infinite Horizons

CONSTRUCTION STANDARDS
CB With Concrete Apron

Designed By: _____ Approved: **Dustin McCall**

Date: **SEP/16** Scale: **NTS** **R-6B**

Digital File: **STDR-6B.dwg**



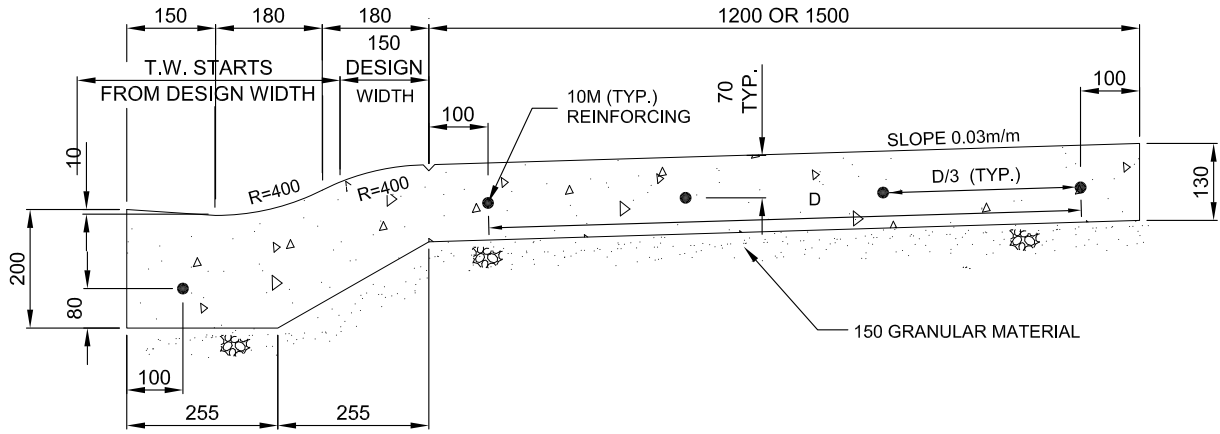
NOTES:

1. ALL DIMENSIONS ARE IN MILLIMETRES UNLESS OTHERWISE NOTED.
2. FOR ALLEY CROSSINGS, INCREASE WALK THICKNESS TO 180.

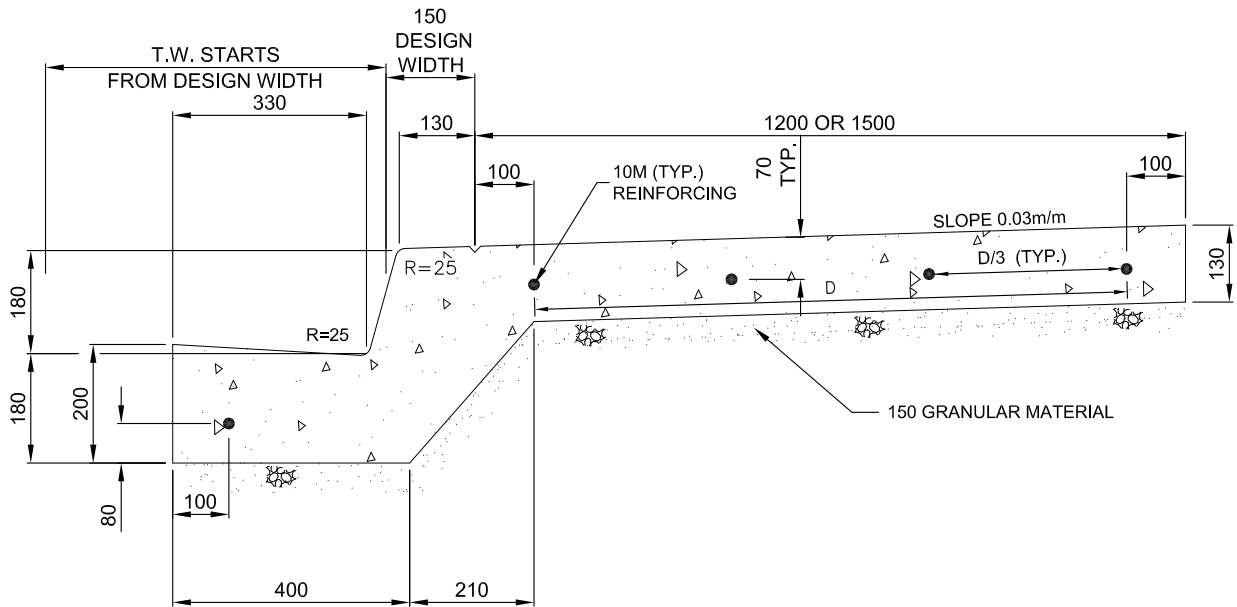
Date	Revisions	By
JAN/03	GRANULAR MATERIAL DEPTH	J.H.
JAN/03	TITLE BLOCK	MLG
JUL/10	TITLE BLOCK	JJA
SEP/16	SPEC REVIEW CHANGES	TSY



CONSTRUCTION STANDARDS		
Monolithic Walk, Curb and Gutter		
Designed By:	Approved: Dustin McCall	
Date: SEP/16	Scale: NTS	R-7
Digital File: STRD-7.dwg		



ROLLED CURB



STANDARD CURB

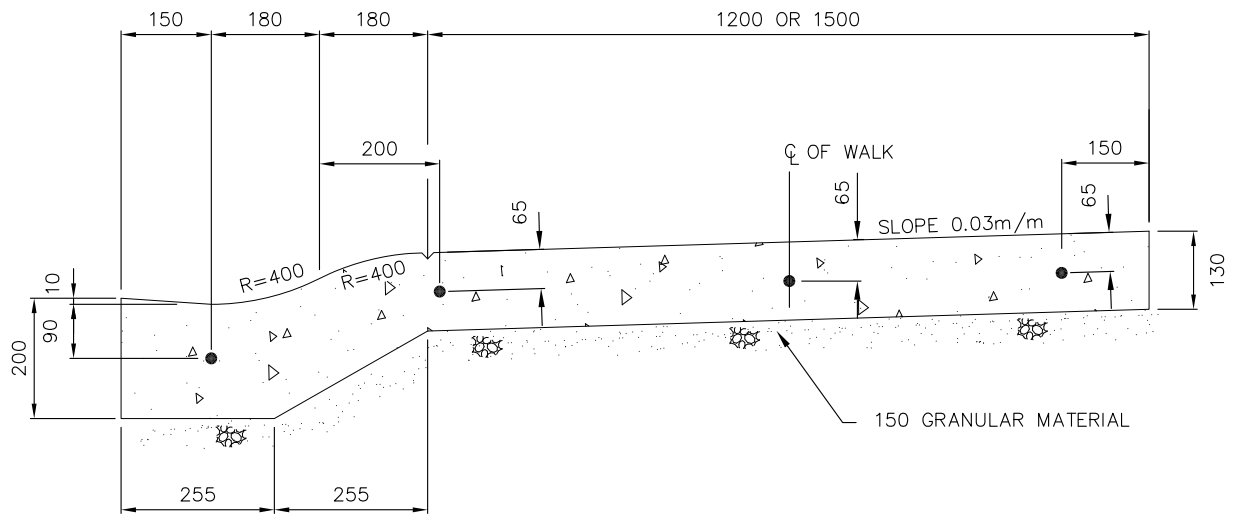
NOTES:

1. ALL DIMENSIONS ARE IN MILLIMETRES UNLESS OTHERWISE NOTED.
2. LONGITUDINAL 10M BARS TO EXTEND 300mm BEYOND THE TOP OF FLARE AND TO BE TIED TO TRANSVERSE 10M BARS AT 600 O.C. IN COMMERCIAL AND INDUSTRIAL CROSSINGS.

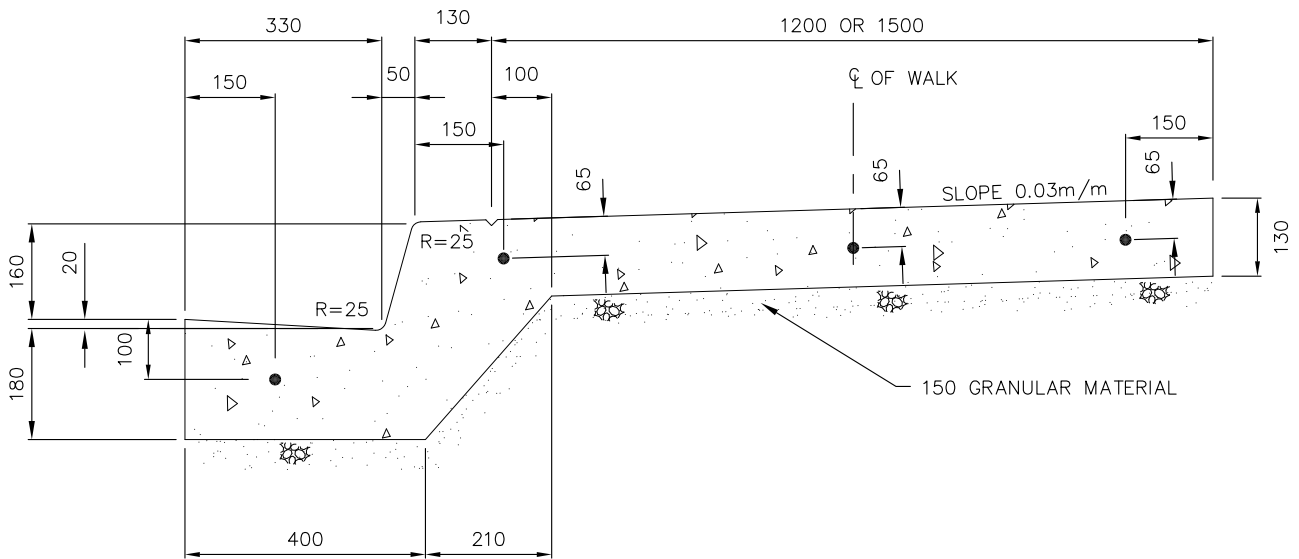
Date	Revisions	By
JAN/03	GRANULAR MAT'L DEPTH; NOTE 2	J.H.
JAN/03	TITLE BLOCK	MLG
JAN/03	NOTE 2	J.H.
JUL/10	TITLE BLOCK	JJA
SEP/16	SPEC REVIEW CHANGES	TSY



CONSTRUCTION STANDARDS		
Reinforced Monolithic Walk, Curb and Gutter		
Designed By:	Approved: Dustin McCall	
Date: SEP/16	Scale: NTS	R-7A
Digital File: STR-7A.dwg		



ROLLED



STANDARD

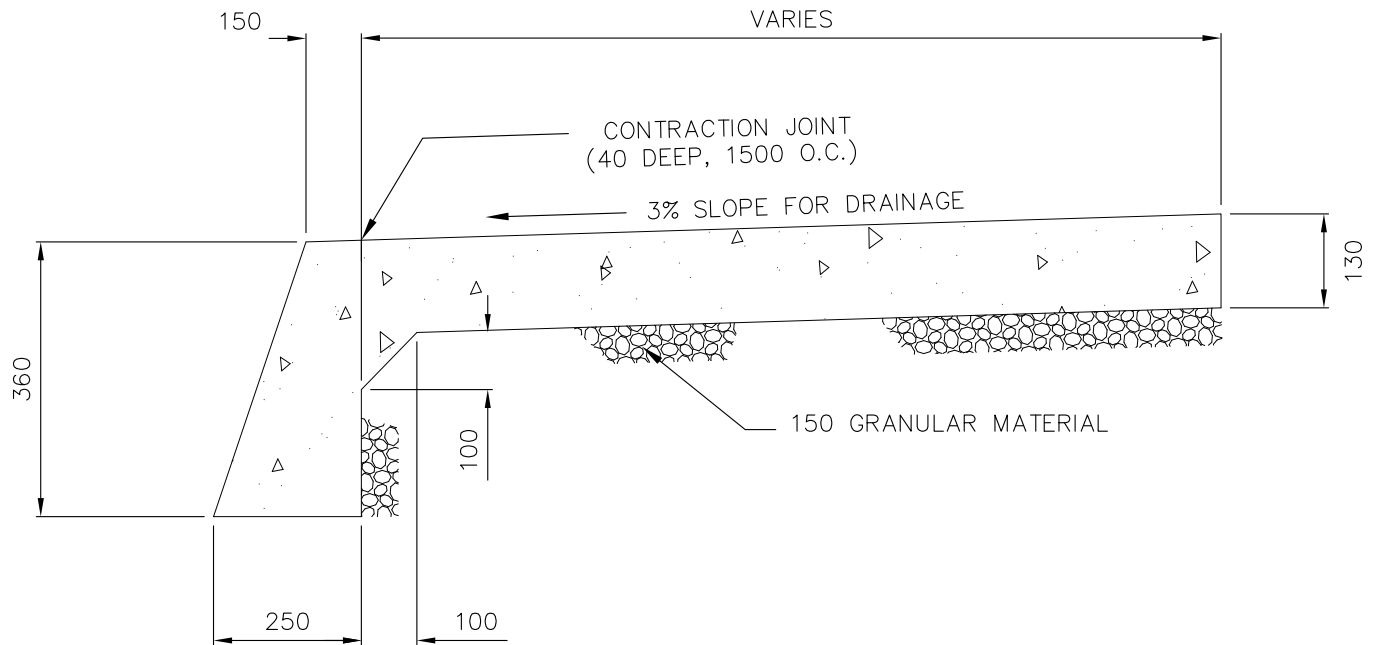
NOTES:

1. ALL DIMENSIONS ARE IN MILLIMETRES UNLESS OTHERWISE NOTED.
2. 10M DOWELS 600 mm LONG
3. GREASE ONE END OF DOWEL.

Date	Revisions	By
JAN/03	GRANULAR MATERIAL DEPTH	J.H.
JAN/03	TITLE DESCRIPTION	J.H.
JAN/03	TITLE BLOCK	MLG
JUL/10	TITLE BLOCK	JJA
SEP/16	SPEC REVIEW CHANGES	TSY



CONSTRUCTION STANDARDS		
Dowel Detail for Cold Expansion Joints		
Designed By:	Approved: Dustin McCall	
Date SEP/16	Scale NTS	R-7B
Digital File: STDR-7B.dwg		



CROSS SECTION

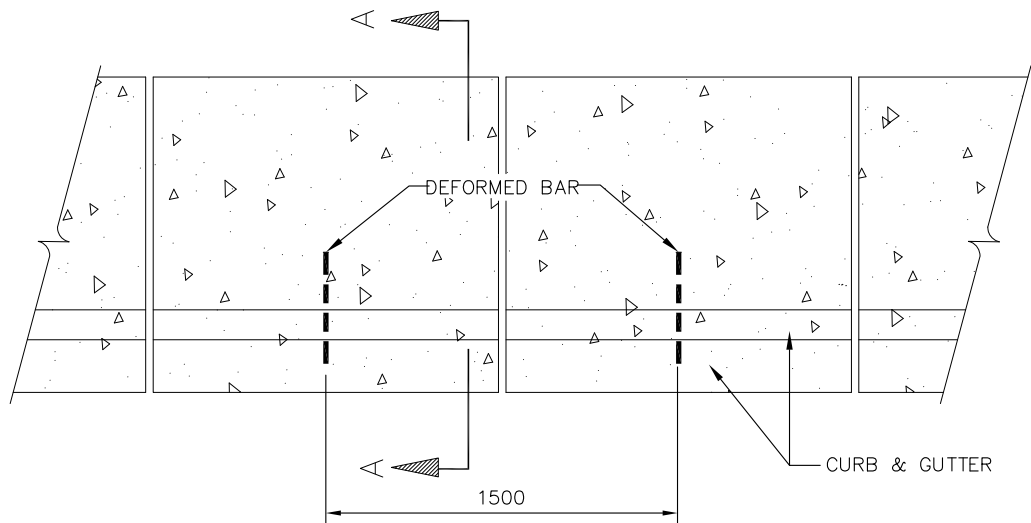
NOTES:

1. ALL DIMENSIONS ARE IN MILLIMETRES UNLESS OTHERWISE NOTED.
2. TO BE USED IN MAINTENANCE LOCATIONS ONLY WHERE REPLACEMENT IS UNDER 30 METERS IN LENGTH.

Date	Revisions	By
JAN/03	GRANULAR MATERIAL DEPTH	J.H.
JAN/03	TITLE BLOCK	MLG
JUL/10	TITLE BLOCK	JJA
SEP/16	SPEC REVIEW CHANGES	TSY

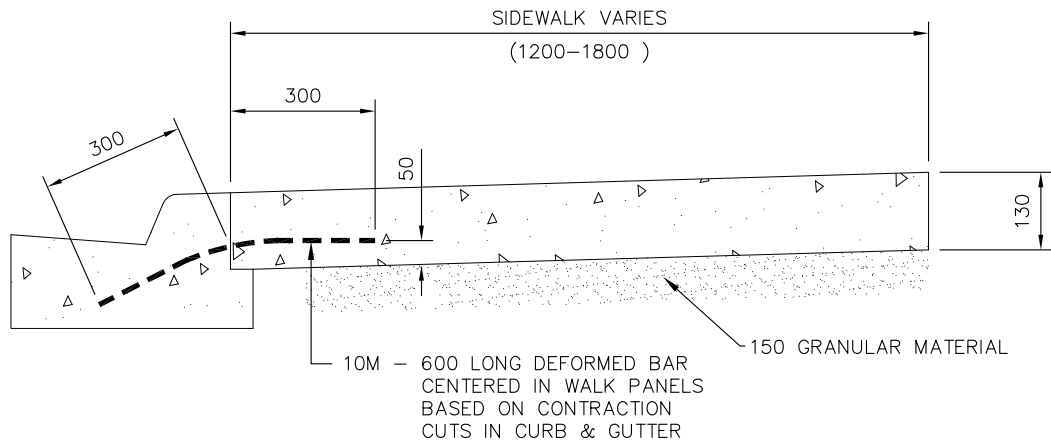


CONSTRUCTION STANDARDS		
Combined Walk and Curb		
Designed By:	Approved: Dustin McCall	
Date: SEP/16	Scale: NTS	R-7E
Digital File: STR-7E.dwg		



PLAN

CURB & GUTTER SECTION IN ACCORDANCE WITH R-3 OR R-4



SECTION A-A

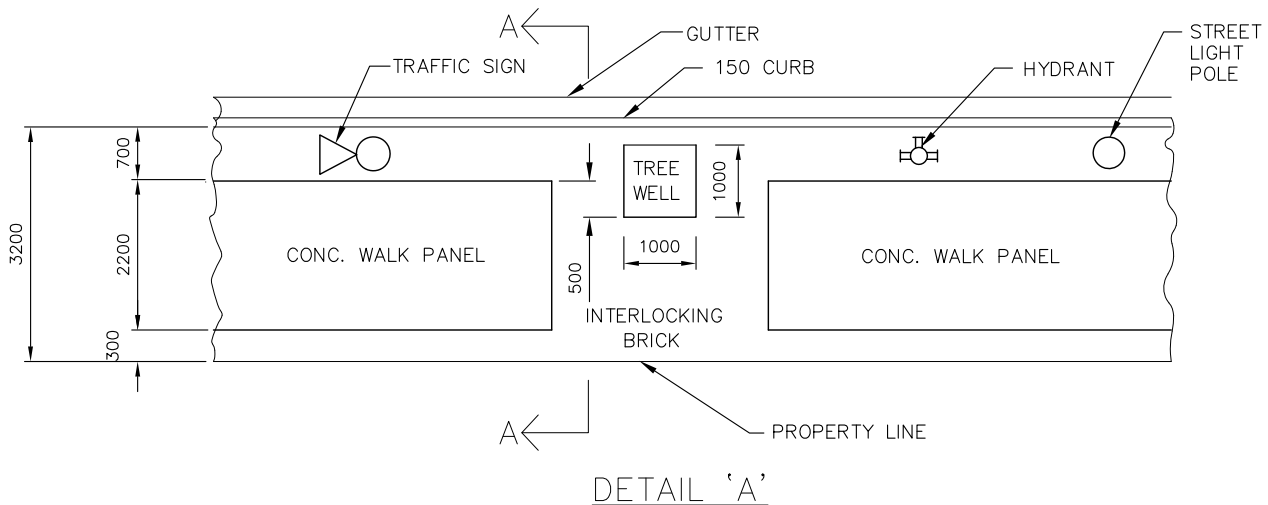
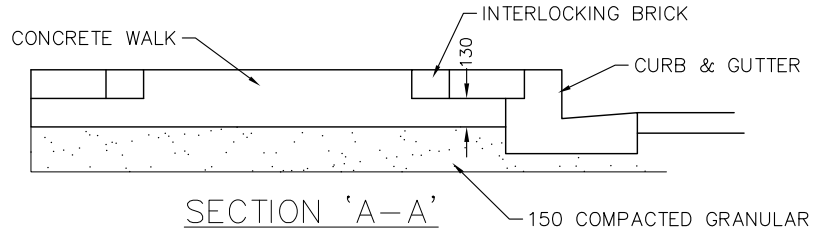
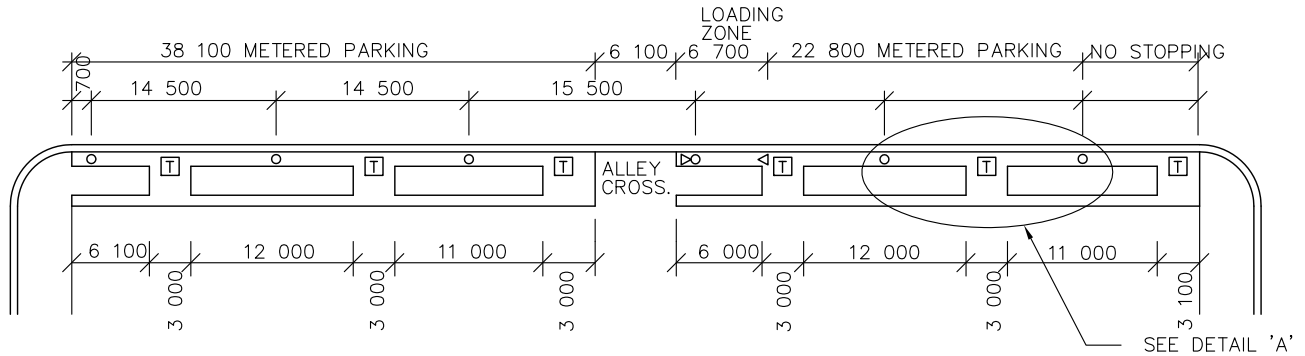
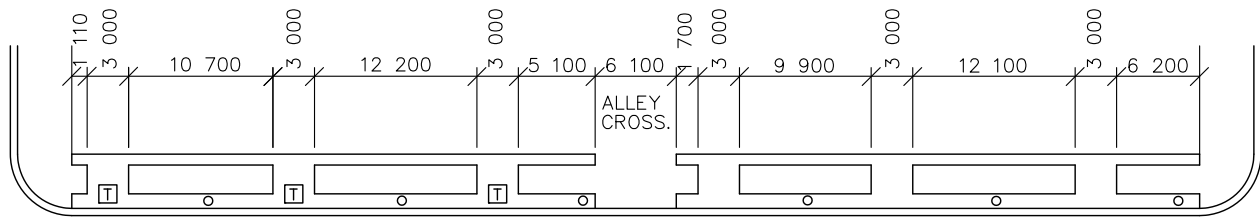
NOTES:

1. ALL DIMENSIONS ARE IN MILLIMETRES UNLESS OTHERWISE NOTED.
2. SEE DRAWING R-7 FOR LOCATION OF LONGITUDINAL REINFORCING.

Date	Revisions	By
JAN/03	GRANULAR MATERIAL DEPTH	J.H.
JAN/03	TITLE BLOCK	MLG
JUL/10	TITLE BLOCK	JJA
SEP/16	SPEC REVIEW CHANGES	TSY



CONSTRUCTION STANDARDS		
Concrete Walk		
Designed By:	Approved: Dustin McCall	
Date: SEP/16	Scale: NTS	R-7F
Digital File: STRD-7F.dwg		



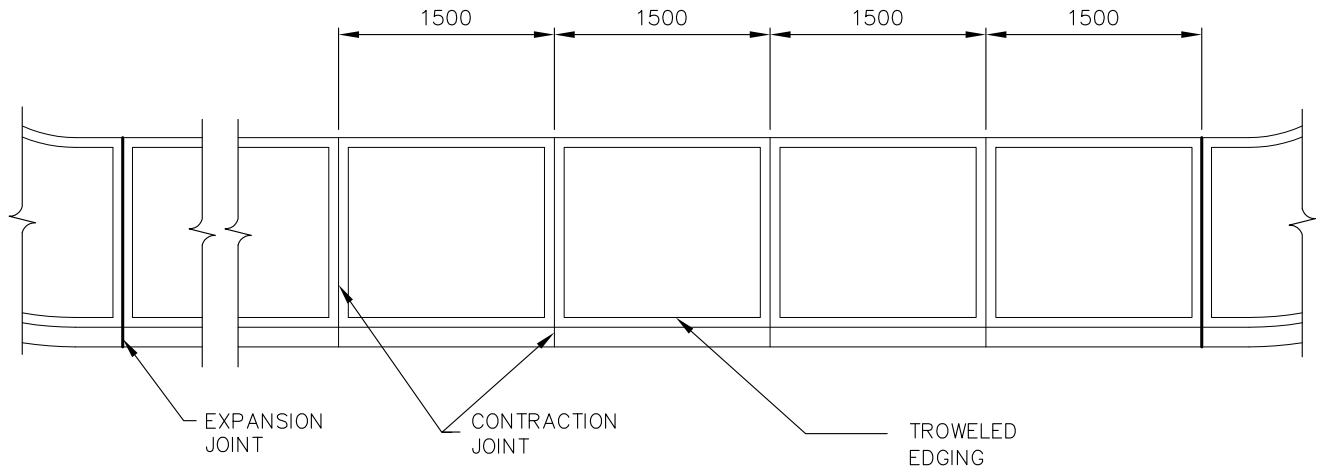
NOTES:

1. STREET LIGHT/METERS CENTERED ON PANELS.
2. NO PARKING WITHIN 3m OF ALLEY
3. TREE WELLS CAN BE ELIMINATED IF NECESSARY.
4. CENTRE TREE WELLS BETWEEN CONCRETE WALK PANELS
5. ALL DIMENSIONS ARE IN MILLIMETRES UNLESS OTHERWISE NOTED.

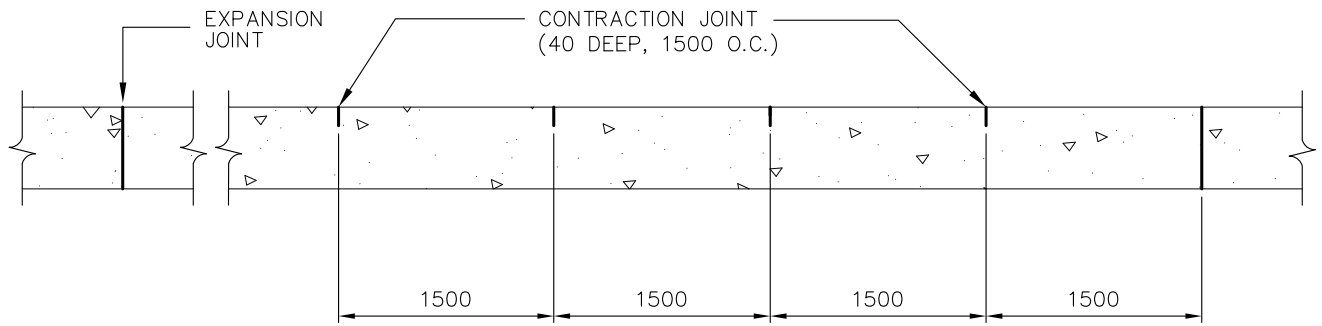
Date	Revisions	By
JAN/03	TITLE BLOCK	MLG
JUL/10	TITLE BLOCK	JJA
SEP/16	SPEC REVIEW CHANGES	TSY



CONSTRUCTION STANDARDS		
Typical Sidewalk Enhancement		
Designed By:	Approved: Dustin McCall	
Date: SEP/16	Scale: NTS	R-7G
Digital File: STR-7G.dwg		



PLAN



ELEVATION

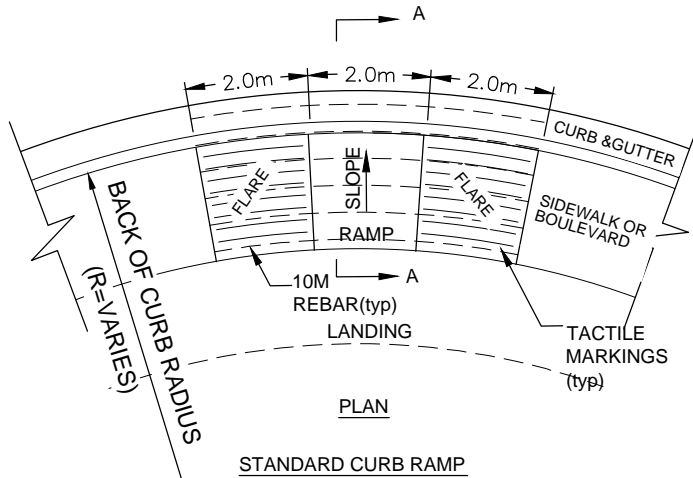
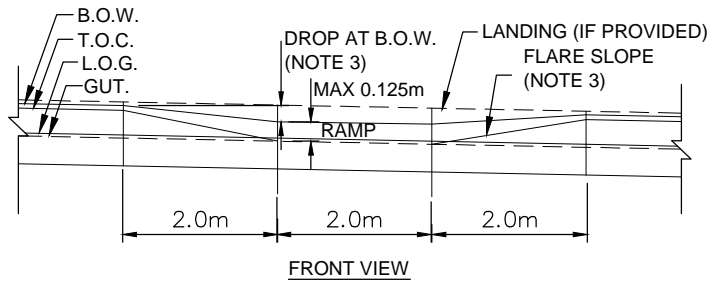
NOTE:

1. ALL DIMENSIONS ARE IN MILLIMETRES UNLESS OTHERWISE NOTED.

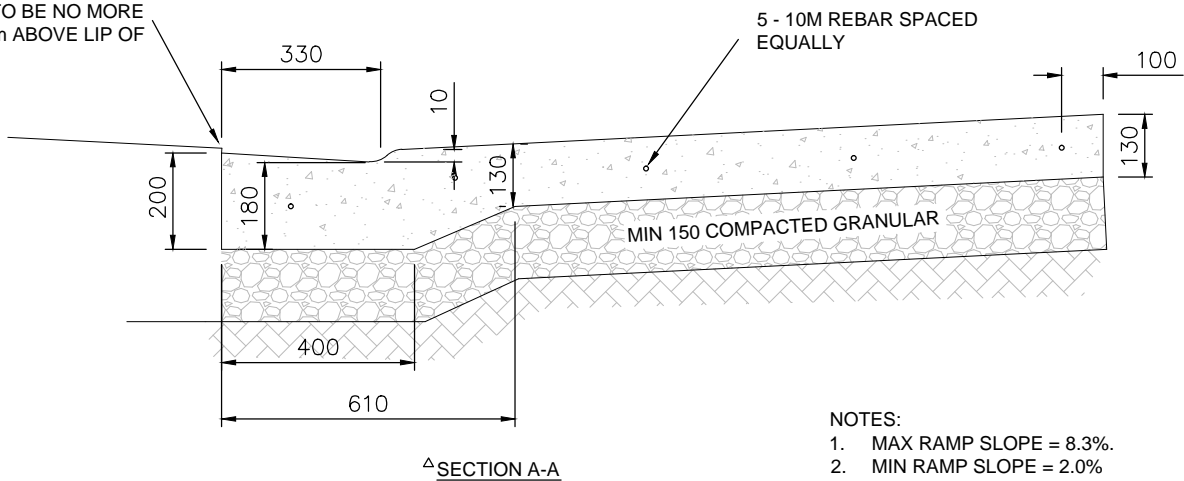
Date	Revisions	By
JAN/02	1500 DIMENSION CORRECTION	J.H.
JAN/03	TITLE BLOCK	MLG
JUL/10	TITLE BLOCK	JJA
SEP/16	SPEC REVIEW CHANGES	TSY



CONSTRUCTION STANDARDS		
Edging and Joint Detail		
Designed By:	Approved: Dustin McCall	
Date: SEP/16	Scale: NTS	R-8
Digital File: STR-8.dwg		



ASPHALT TO BE NO MORE THAN 10mm ABOVE LIP OF GUTTER



NOTES:

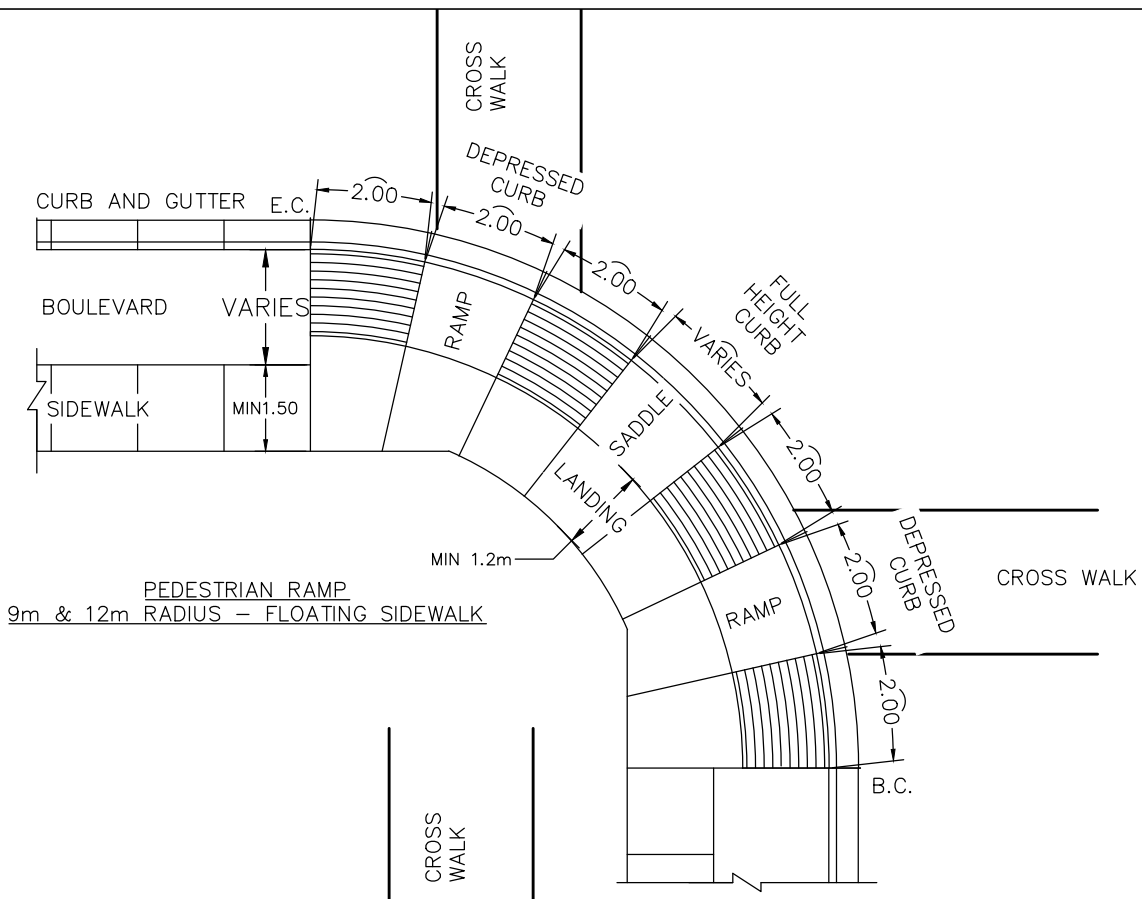
1. MAX RAMP SLOPE = 8.3%.
2. MIN RAMP SLOPE = 2.0%
3. FLARE SLOPE SHALL BE BETWEEN 1:10 AND 1:15 ALONG FACE OF CURB.
4. ALIGN RAMPS WITH DIRECTION OF CROSSWALK.
5. RED COLOUR PIGMENT TO BE ADDED TO CONCRETE SURFACE OF RAMP ONLY.
6. GRADIENT OF GUTTER AROUND CORNER RADIUS TO BE MINIMUM 1.0%.
7. FOR NEW DEVELOPMENTS: R = 9.0m OR 12.0m PER DEVELOPMENT STANDARDS MANUAL..
8. DROP AT BACK OF CURB AS FOLLOWS:
105mm FOR BARRIER CURB
50mm FOR ROLLED CURB

Date	Revisions	By
JUL/10	TITLE BLOCK	JJA
JAN/17	SPEC REVIEW UPDATE	TSY
APR/17	REVISED FOR STD RAMP DETAIL	BW

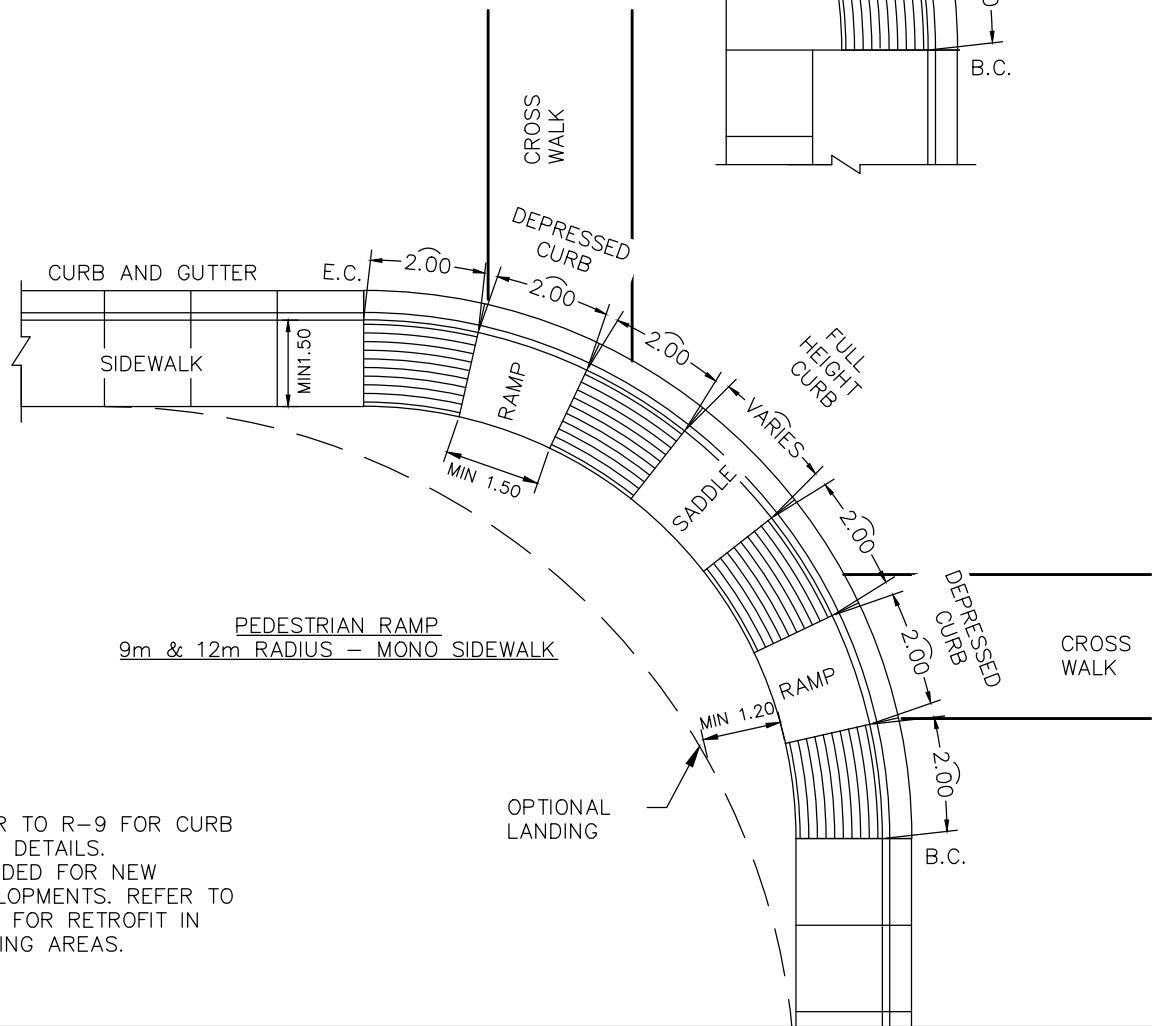


CONSTRUCTION STANDARDS			△
Pedestrian Crossing Curb Ramp Details			
Designed By:		Approved: Dustin McCall	
Date	Scale	R-9	
Apr/17	NTS		
Digital File: STD-9.dwg			

PEDESTRIAN RAMP
9m & 12m RADIUS - FLOATING SIDEWALK



PEDESTRIAN RAMP
9m & 12m RADIUS - MONO SIDEWALK



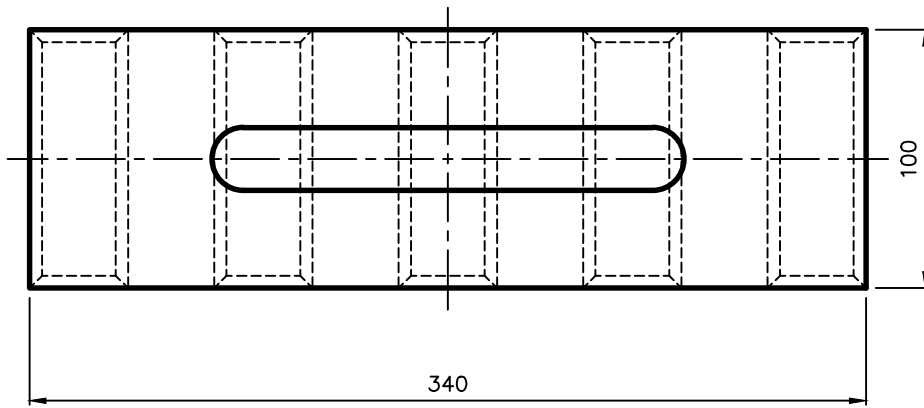
- NOTES:
1. REFER TO R-9 FOR CURB RAMP DETAILS.
 2. INTENDED FOR NEW DEVELOPMENTS. REFER TO R-9E FOR RETROFIT IN EXISTING AREAS.

Date	Revisions	By
JAN/17	SPEC REVIEW CHANGES	TSY
APR/17	REVISED DRAWING TITLE	BW

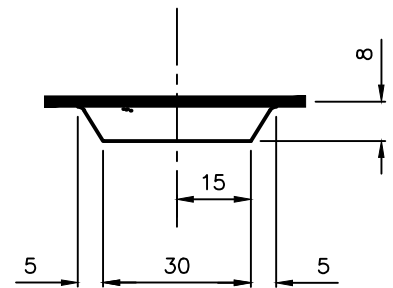


CONSTRUCTION STANDARDS
Pedestrian Crossing
Typical Layouts

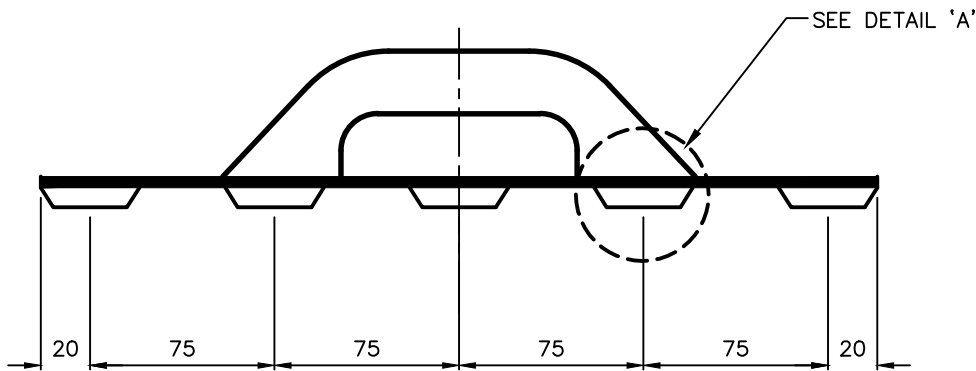
Designed By:	Bill Wright	Approved:	Dustin McCall
Date:	Apr/17	Scale:	NTS
Digital File:	STDR-9A.dwg		
			R-9A



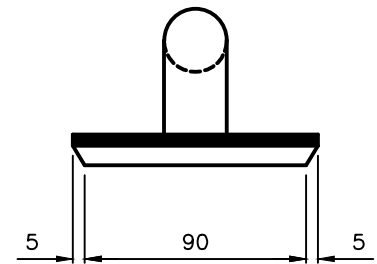
TOP VIEW



DETAIL 'A'



SIDE VIEW



END VIEW

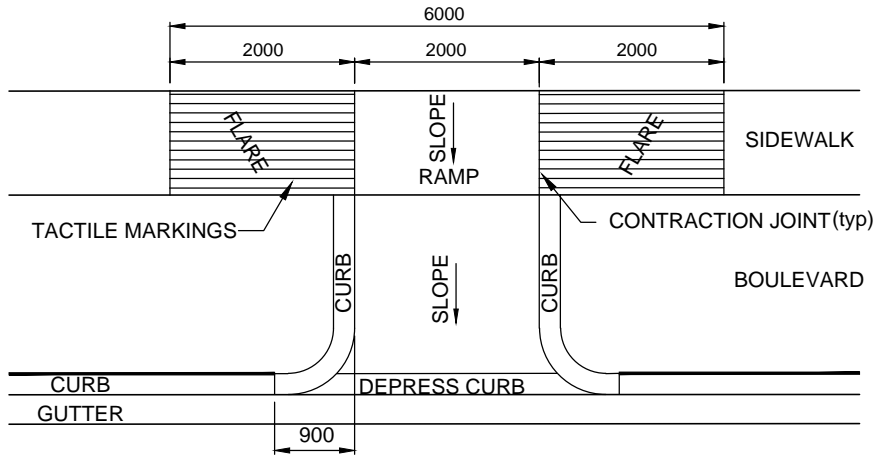
NOTE:

ALL DIMENSIONS ARE IN MILLIMETRES
UNLESS OTHERWISE NOTED.

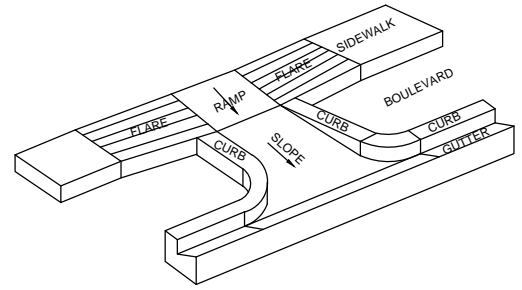
Date	Revisions	By
JAN/03	TITLE BLOCK	MLG
JUL/10	TITLE BLOCK	JJA
SEP/16	SPEC REVIEW CHANGES	TSY



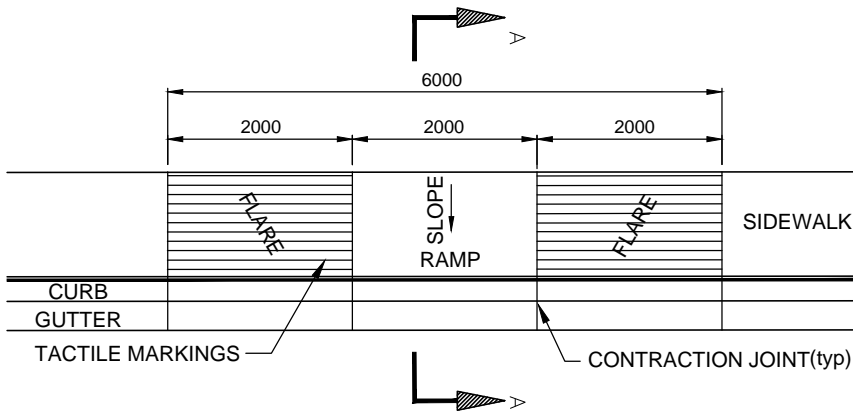
CONSTRUCTION STANDARDS		
Pedestrian Crossings Tactile Marking Tool		
Designed By:	Approved: Dustin McCall	
Date: SEP/16	Scale: NTS	R-9B
Digital File: STRD-9B.dwg		



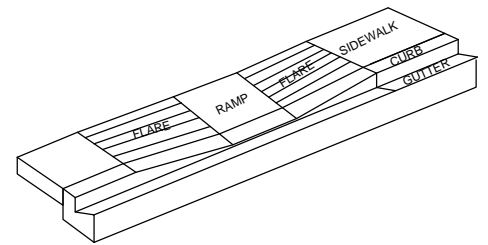
PLAN VIEW – SIDEWALK WITH BOULEVARD



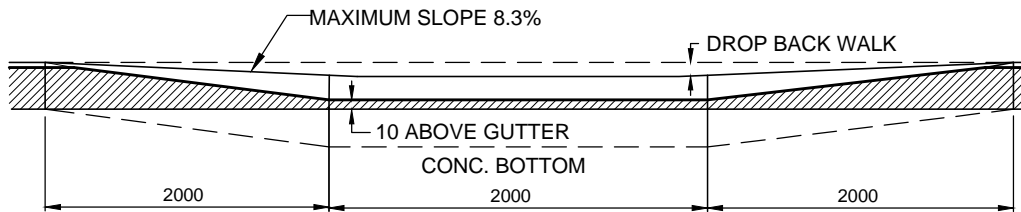
CURB DETAIL



PLAN – SIDEWALK WITHOUT BOULEVARD



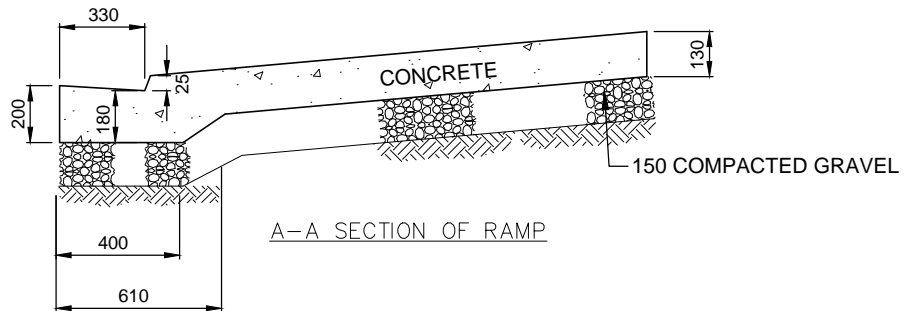
CURB DETAIL



FRONT VIEW –WITHOUT BOULEVARD

NOTES:

1. ALL DIMENSIONS ARE MILLIMETRES UNLESS OTHERWISE NOTED.
2. PATHWAY RAMPS TO BE LOCATED AT CENTER OF PATHWAY.
3. RED COLOURED PIGMENT TO BE ADDED TO CONCRETE SURFACE OF RAMP ONLY.
4. DROP SIDEWALK AT BACK OF AS FOLLOWS:
100mm FOR BARRIER CURB
75mm FOR ROLLED CURB

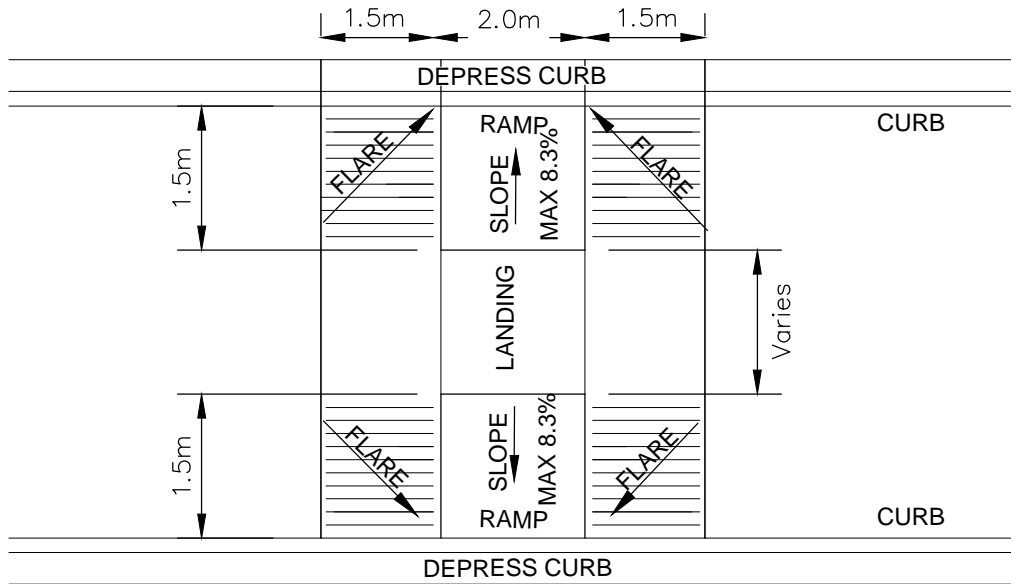


A-A SECTION OF RAMP

Date	Revisions	By
DEC/04	DEPTH OF LIP	J.H.
MAR/10	ADDED CONCRETE BOTTOM	M.J.
JUL/10	TITLE BLOCK	JJA
SEP/16	SPEC REVIEW CHANGES	TSY
APR/17	ADDED DETAIL FOR CROSSING AT BOULEVARD	BW

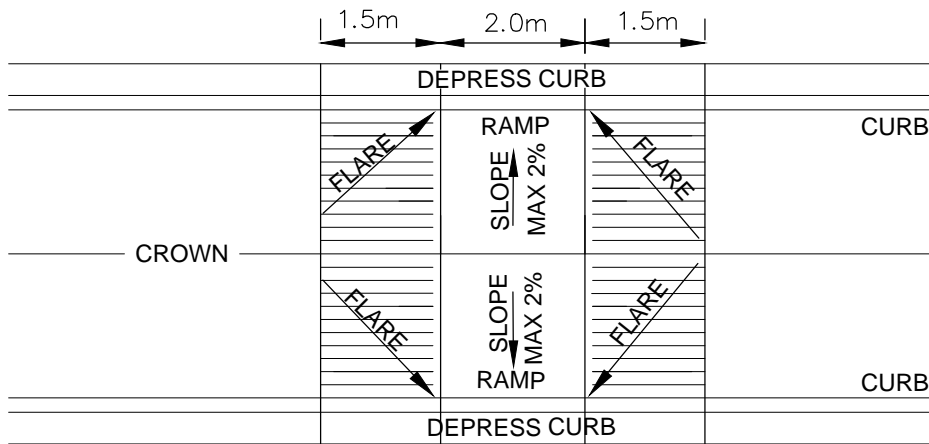


CONSTRUCTION STANDARDS		
Pedestrian Crossing Mid-Block		
Designed By:	Approved: Dustin McCall	
Date: Apr/17	Scale: NTS	R-9C
Digital File: STDR-9C.dwg		



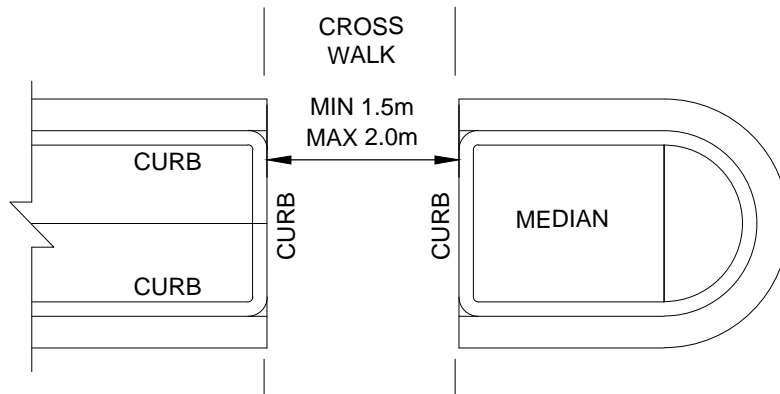
MEDIAN CROSSING DETAIL

WIDTH > 4.5m



MEDIAN CROSSING DETAIL

1.8m < WIDTH < 4.5m



MEDIAN CROSSING DETAIL

WIDTH < 1.8m

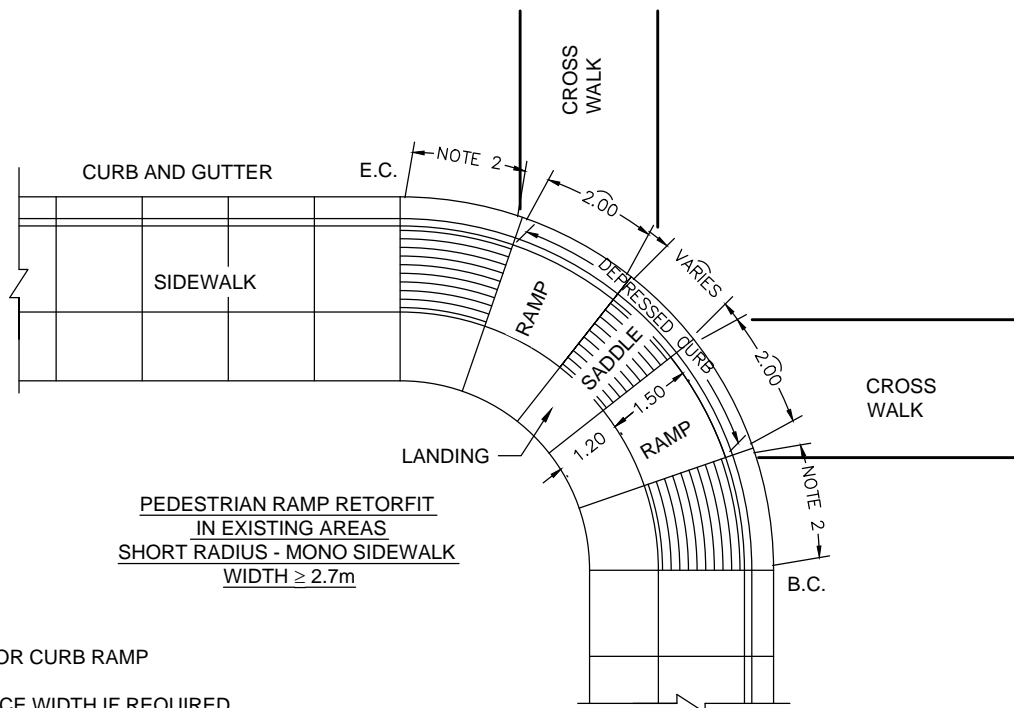
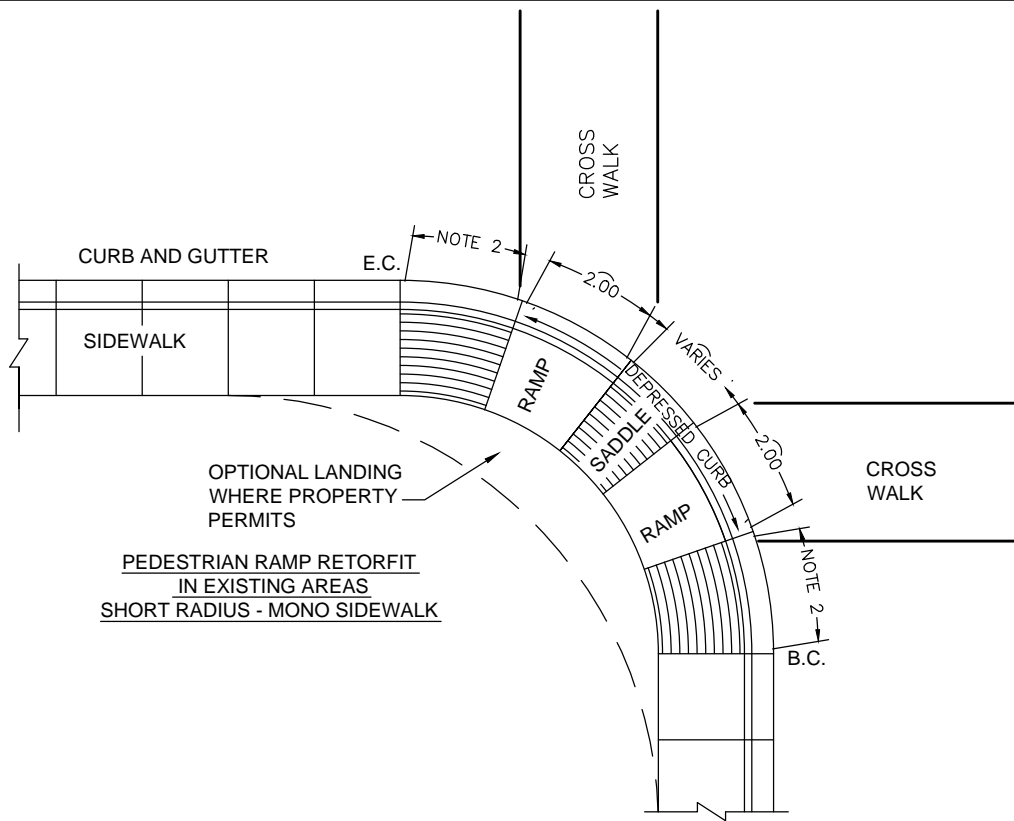
Date	Revisions	By
JAN/17	SPEC REVIEW CHANGES	TSY
APR/17	REVISED DETAILS AND NOTES	TSY



CONSTRUCTION STANDARDS

Pedestrian Crossing Medians

Designed By:	Bill Wright	Approved:	Dustin McCall
Date:	APR/17	Scale:	NTS
Digital File:	STDR-9D.dwg		R-9D



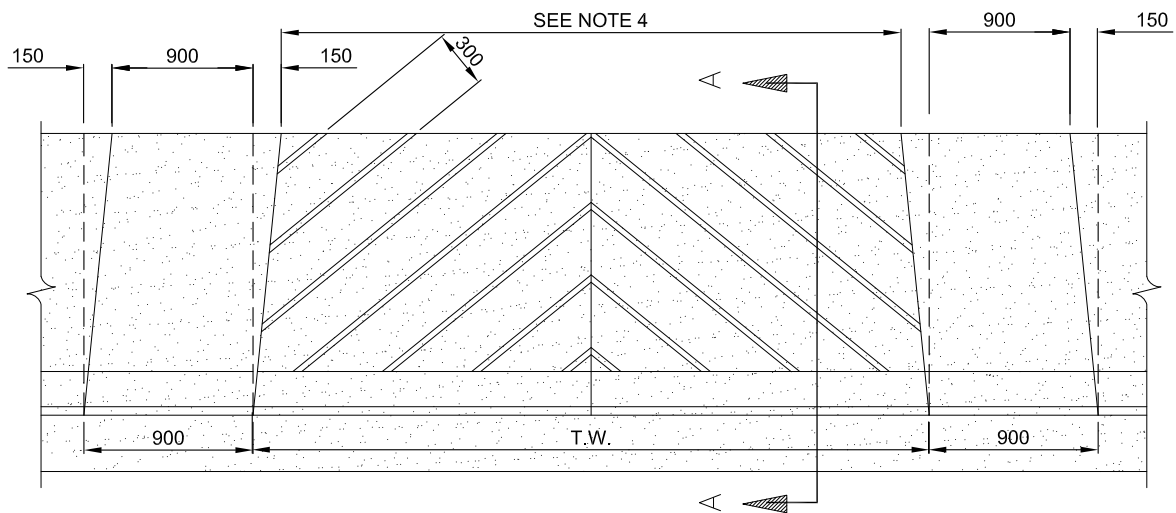
NOTES:

1. REFER TO R-9 FOR CURB RAMP DETAILS.
2. MAX 2.0m. REDUCE WIDTH IF REQUIRED TO STAY WITHIN B.C. OR E.C.
3. RAMP WIDTH MAY BE REDUCED TO 1.5m, IF REQUIRED.

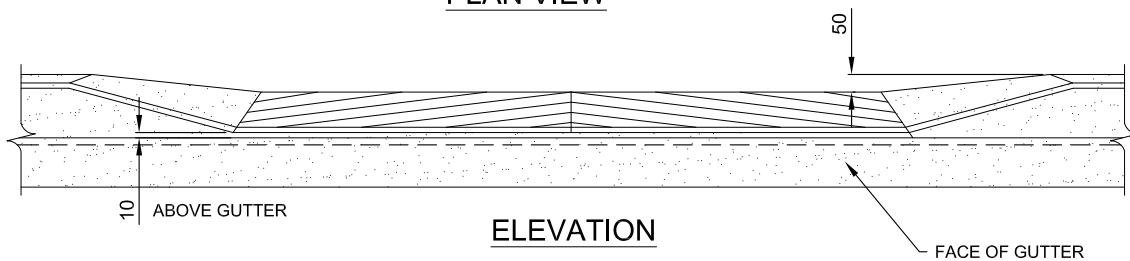
Date	Revisions	By
JAN/17	SPEC REVIEW CHANGES	TSY
APR/17	REVISED LAYOUTS	BW



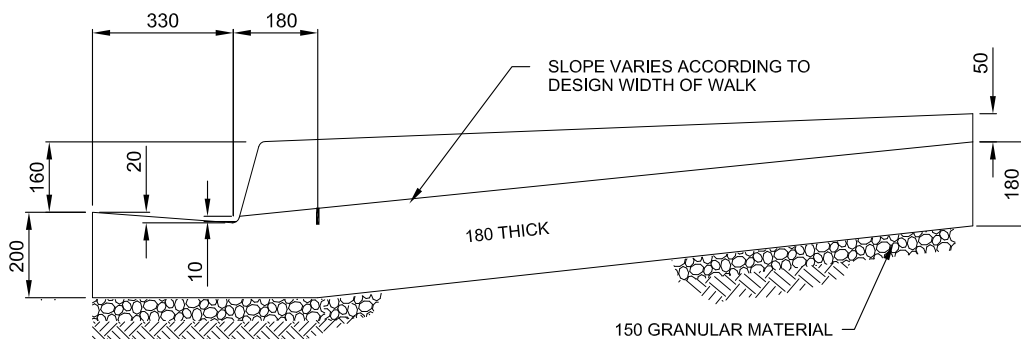
CONSTRUCTION STANDARDS			
Pedestrian Crossing			
Typical Layout - Short Radius			
Designed By:		Approved:	
Bill Wright		Dustin McCall	
Date	Scale		
Apr/17	NTS	R-9E	
Digital File: STDR-9E.dwg			



PLAN VIEW



ELEVATION



SECTION A-A

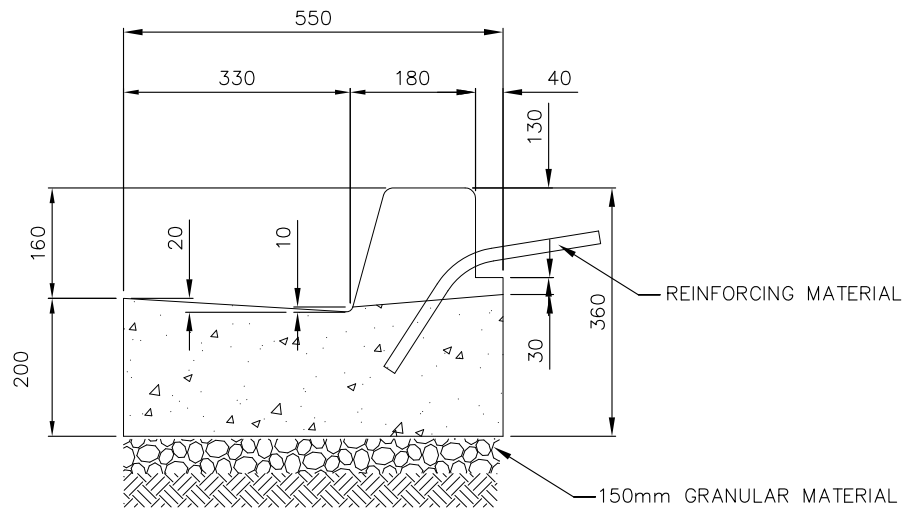
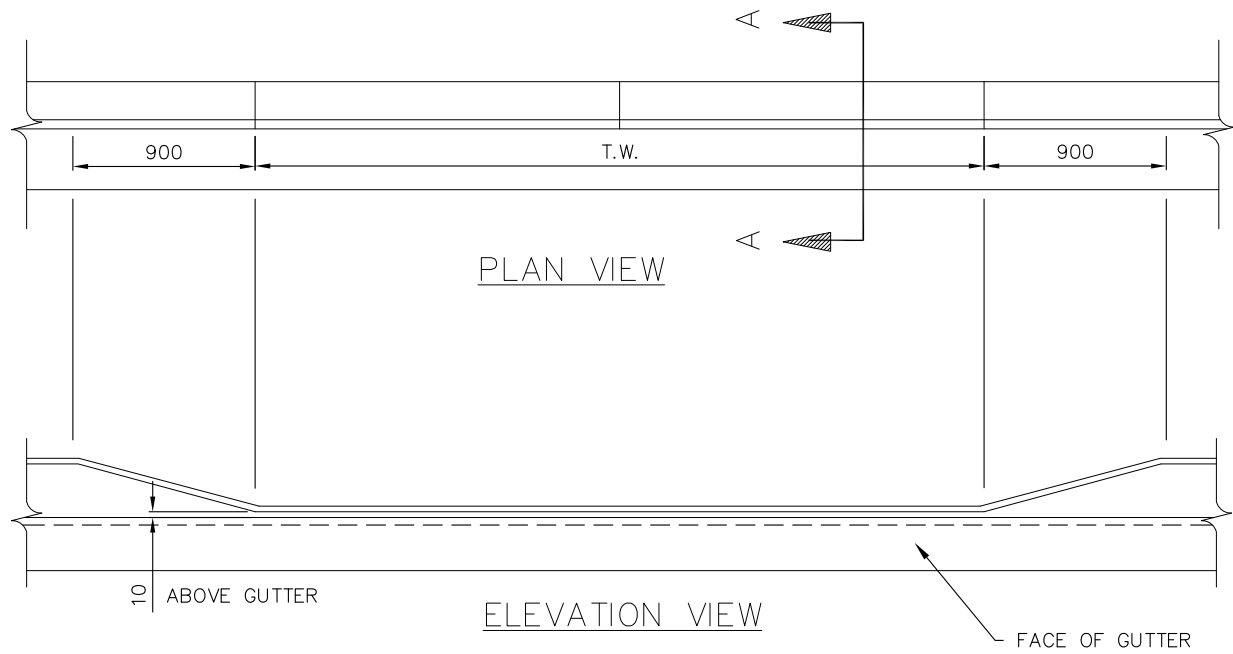
NOTES:

1. ALL DIMENSIONS ARE IN MILLIMETRES UNLESS OTHERWISE NOTED.
2. SEE DRAWING R-7A AND SECTION 2550 FOR LOCATION AND APPLICATION OF REINFORCING THROUGH COMMERCIAL AND INDUSTRIAL CROSSINGS.
3. DIAGONAL JOINTS MAY BE ELIMINATED AT PRIVATE CROSSINGS IN RESIDENTIAL AREAS.
4. WIDTH AT BOW TO MATCH ALLEY PAVEMENT WIDTH SHOWN IN R-2C FOR ALLEY CROSSINGS

Date	Revisions	By
JAN/01	WIDTH AT ALLEY	
JAN/03	GRANULAR MA'L DEPTH; NOTE 2	J.H.
JAN/03	TITLE BLOCK	MLG
DEC/04	DEPTH OF LIP	J.H.
DEC/06	NOTE 2	J.H.
JUL/10	TITLE BLOCK	JJA
SEP/16	SPEC REVIEW CHANGES	TSY



CONSTRUCTION STANDARDS		
Combined Concrete Walk, Curb and Gutter Crossing		
Designed By:	Approved: Dustin McCall	
Date SEP/16	Scale NTS	R-10
Digital File: STDR-10.dwg		



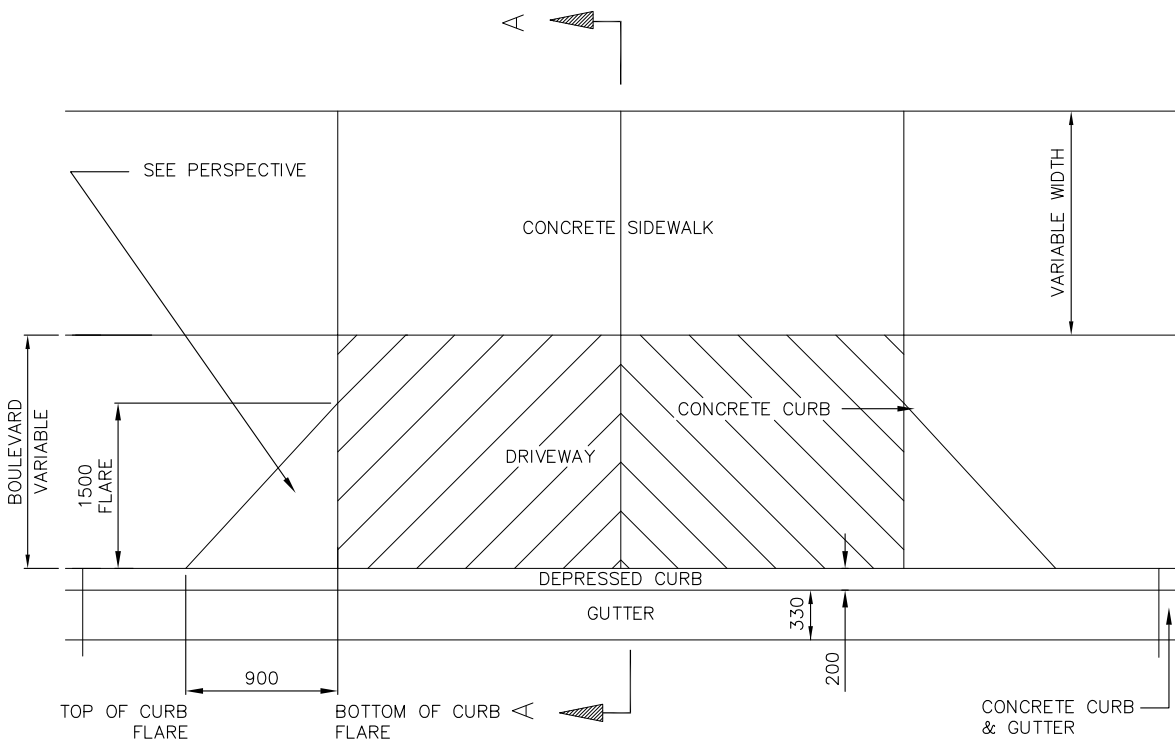
NOTES:

1. ALL DIMENSIONS ARE IN MILLIMETRES UNLESS OTHERWISE NOTED.
2. SEE DRAWING R-4 FOR LOCATION OF REINFORCING AND DETAILED DIMENSIONS FOR CURB AND GUTTER.

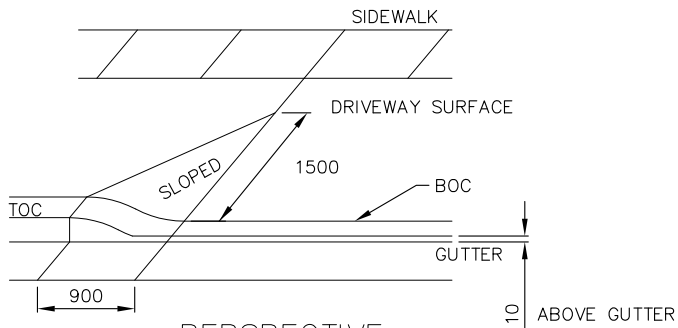
Date	Revisions	By
JAN/03	GRANULAR MATERIAL DEPTH	J.H.
JAN/03	TITLE BLOCK	MLG
DEC/04	DEPTH OF LIP; NOTE	J.H.
JUL/10	TITLE BLOCK	JJA
DEC/16	SPEC REVIEW CHANGES	TSY



CONSTRUCTION STANDARDS		
Concrete Curb and Gutter Crossing		
Designed By:	Approved: Dustin McCall	
Date: DEC/16	Scale: NTS	R-10B
Digital File: STD-R-10B.dwg		



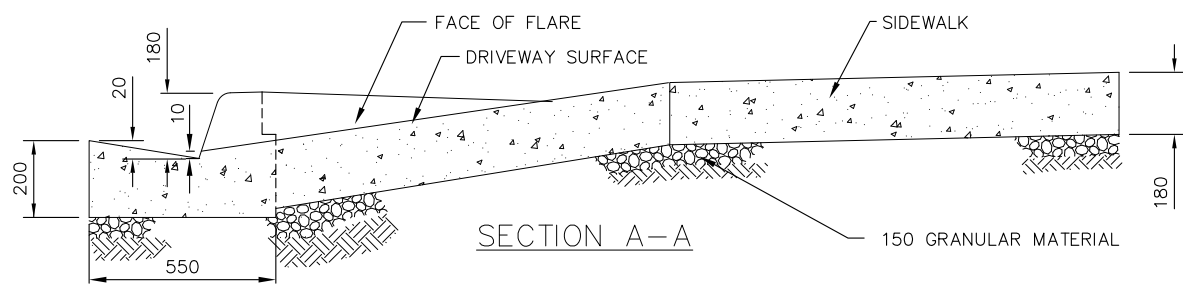
PLAN VIEW



PERSPECTIVE

NOTES:

1. ALL DIMENSIONS ARE IN MILLIMETRES UNLESS OTHERWISE NOTED.
2. TO BE USED ON STREETS THAT HAVE EXISTING BARRIER CURB.
3. SEE DRAWING R-7A AND SECTION 2550 FOR LOCATION AND APPLICATION OF REINFORCING THROUGH COMMERCIAL AND INDUSTRIAL CROSSINGS

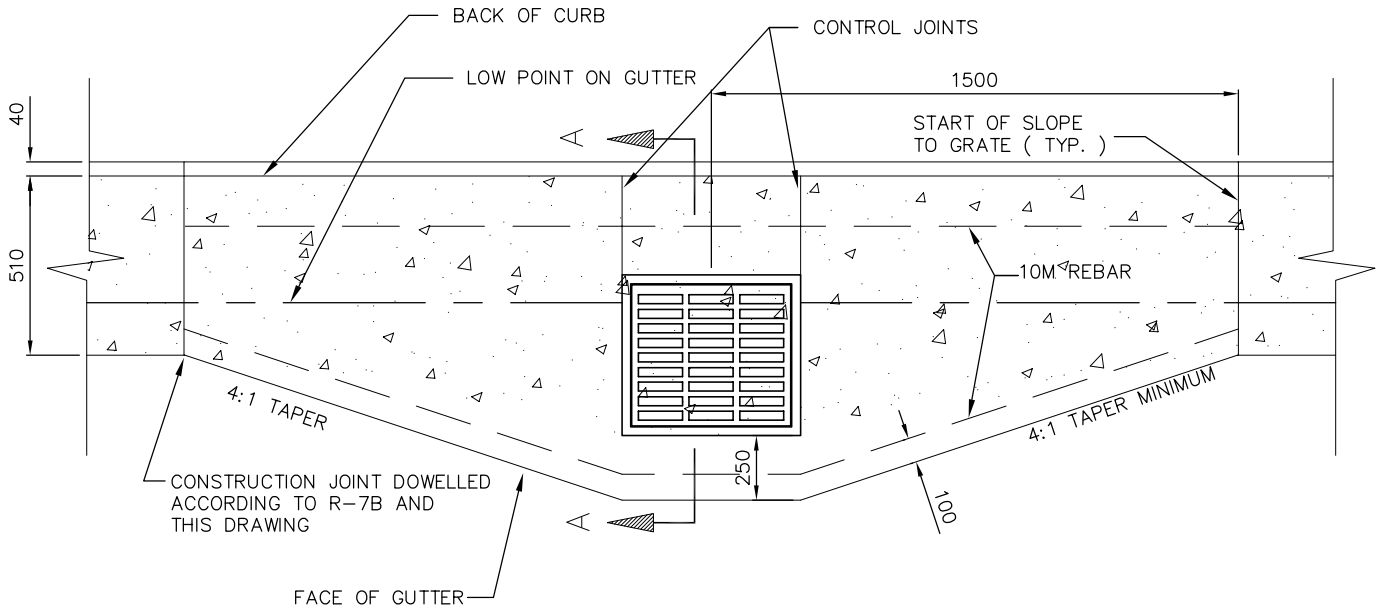


SECTION A-A

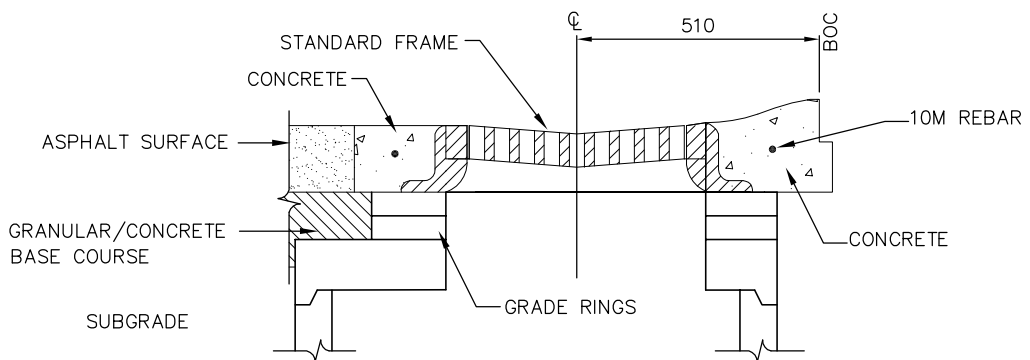
Date	Revisions	By
JAN/03	GRANULAR MATERIAL DEPTH	J.H.
JAN/03	TITLE BLOCK	MLG
DEC/04	DEPTH OF LIP	J.H.
JUL/10	TITLE BLOCK	JJA
OCT/15	ADD NOTE 3 & CHANGE TITLE	I.S.
SEP/16	SPEC REVIEW CHANGES	TSY



CONSTRUCTION STANDARDS		
Curb and Gutter Crossing with Boulevard		
Designed By:	Approved: Dustin McCall	
Date: SEP/16	Scale: NTS	R-10C
Digital File: STD-R-10C.dwg		



ROLLED CURB & GUTTER



SECTION A-A

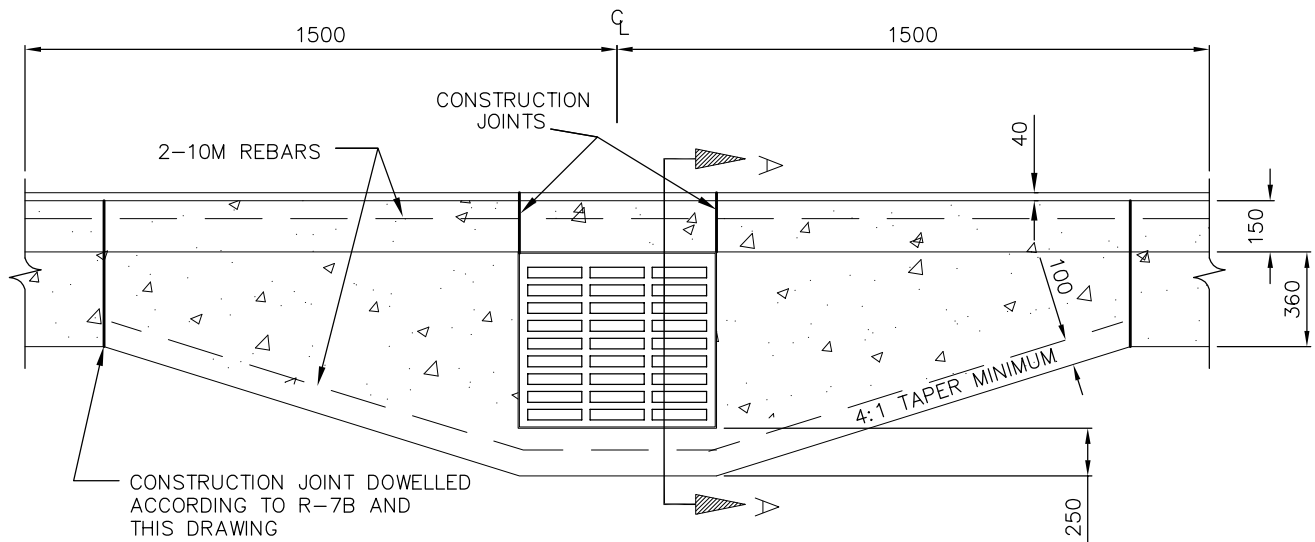
NOTES:

1. UNITS SHOWN ARE MILLIMETRES UNLESS OTHERWISE NOTED.

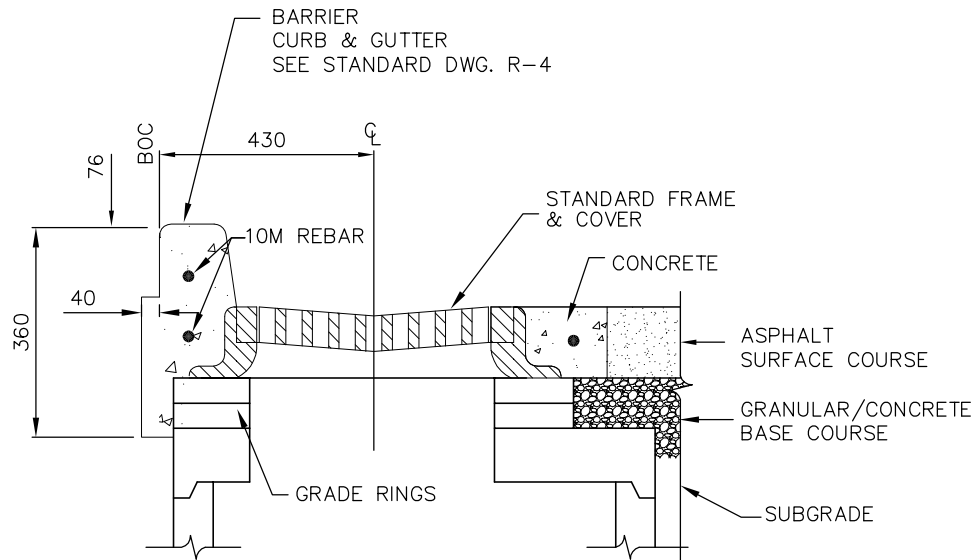
Date	Revisions	By
JAN/03	CONSTRUCTION JOINT	J.H.
JAN/03	TITLE BLOCK	MLG
FEB/10	ADD REBAR AND CONTROL JOINT	ELB
JUL/10	TITLE BLOCK	JJA
JAN/17	SPEC REVIEW UPDATE	BW



CONSTRUCTION STANDARDS		
Catch Basin Box-Out (Rolled Curb)		
Designed By:	Approved: Kelly Wyatt	
Date: JAN/11	Scale: NTS	R-11
Digital File: STR-11.dwg		



BARRIER CURB AND GUTTER



SECTION A-A

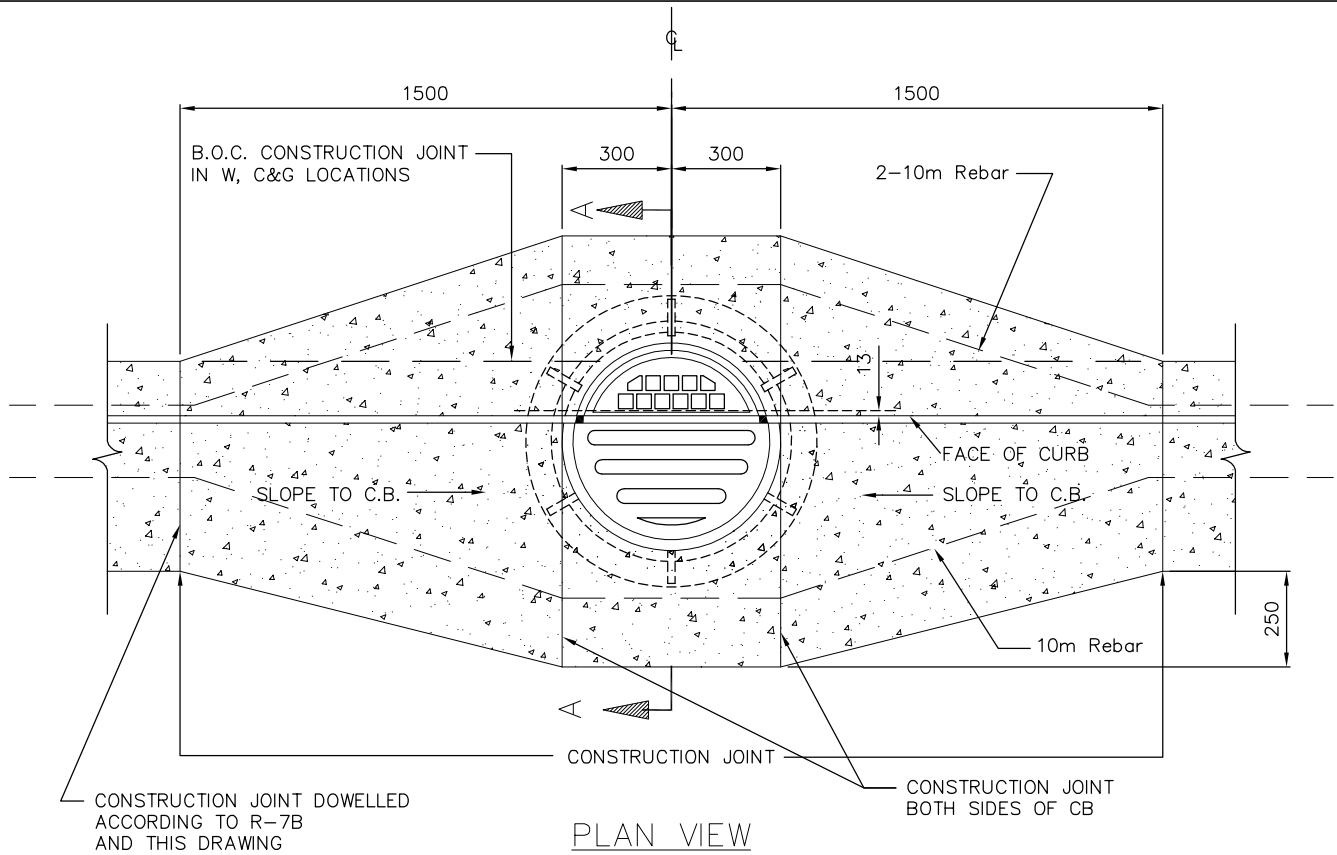
NOTES:

1. UNITS SHOWN ARE IN MILLIMETRES UNLESS OTHERWISE NOTED.

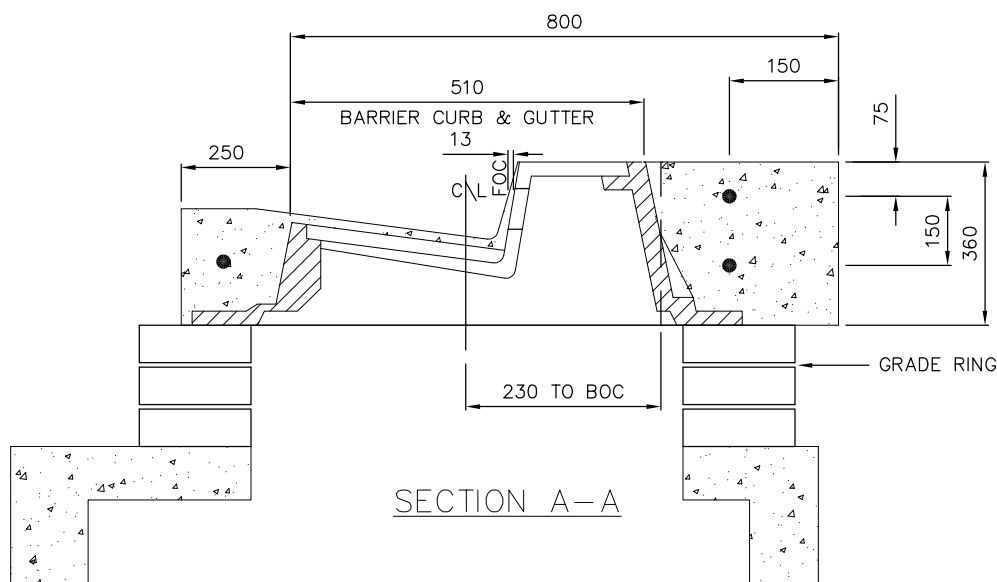
Date	Revisions	By
JAN/03	CONSTRUCTION JOINT; TAPER	J.H.
JAN/03	REBAR REMOVED	J.H.
JAN/03	TITLE BLOCK	MLG
MAR/10	ADDED REBAR	M.J.
JUL/10	TITLE BLOCK	JJA
OCT/15	TITLE CHANGE	I.S.
JAN/17	SPEC REVIEW UPDATE	BW



CONSTRUCTION STANDARDS		
Catch Basin Box-Out (Barrier Curb and Gutter)		
Designed By:	Approved: Kelly Wyatt	
Date: OCT/15	Scale: NTS	R-11A
Digital File: STRD-11A.dwg		



PLAN VIEW



SECTION A-A

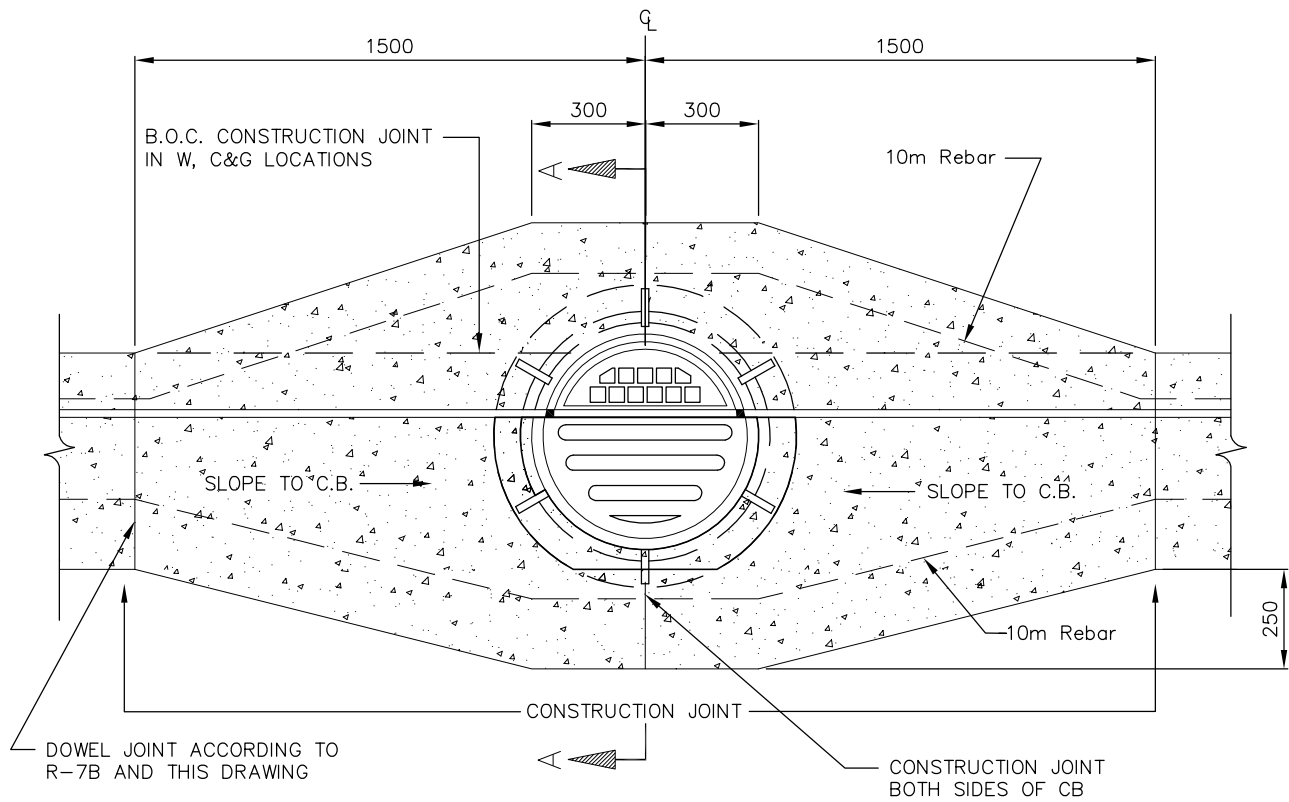
NOTE:

1. ALL DIMENSIONS ARE IN MILLIMETRES UNLESS OTHERWISE NOTED.
2. BACK OF CURB REBAR REQUIRED FOR COLLECTOR AND ARTERIAL STREETS
3. CATCH BASIN TO BE SET BACK 13mm FROM THE FACE OF CURB.

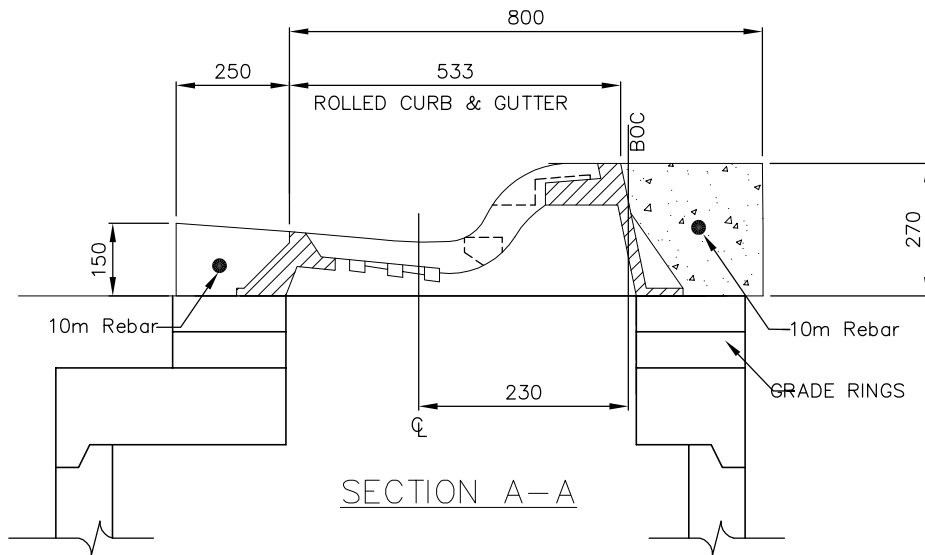
Date	Revisions	By
JAN/03	CONSTRUCTION JOINT; TAPER	J.H.
JAN/03	BOX OUT AT F.O.G.	J.H.
JAN/03	TITLE BLOCK	MLG
JAN/05	REBAR ADDED	J.H.
FEB/10	CATCH BASIN SET BACK 13mm	M.J.
JUL/10	TITLE BLOCK	JJA
JAN/17	SPEC REVIEW CHANGES	TSY



CONSTRUCTION STANDARDS		
Box-Out for Side Inlet Catch Basins (Barrier Curb)		
Designed By:	Approved: Dustin McCall	
Date: DEC/16	Scale: NTS	R-11B
Digital File: STDR-11B.dwg		



PLAN VIEW



SECTION A-A

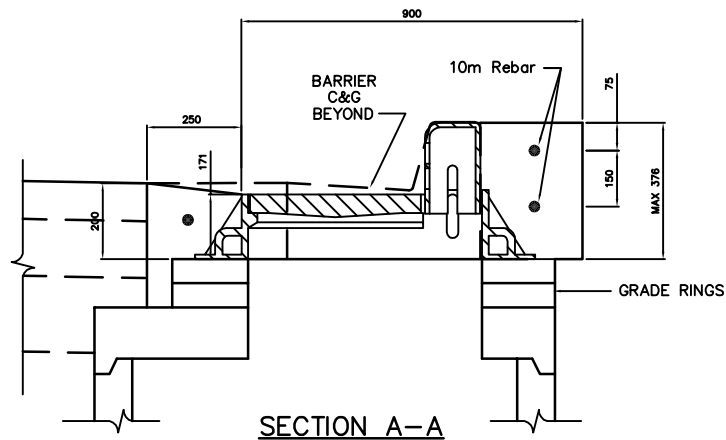
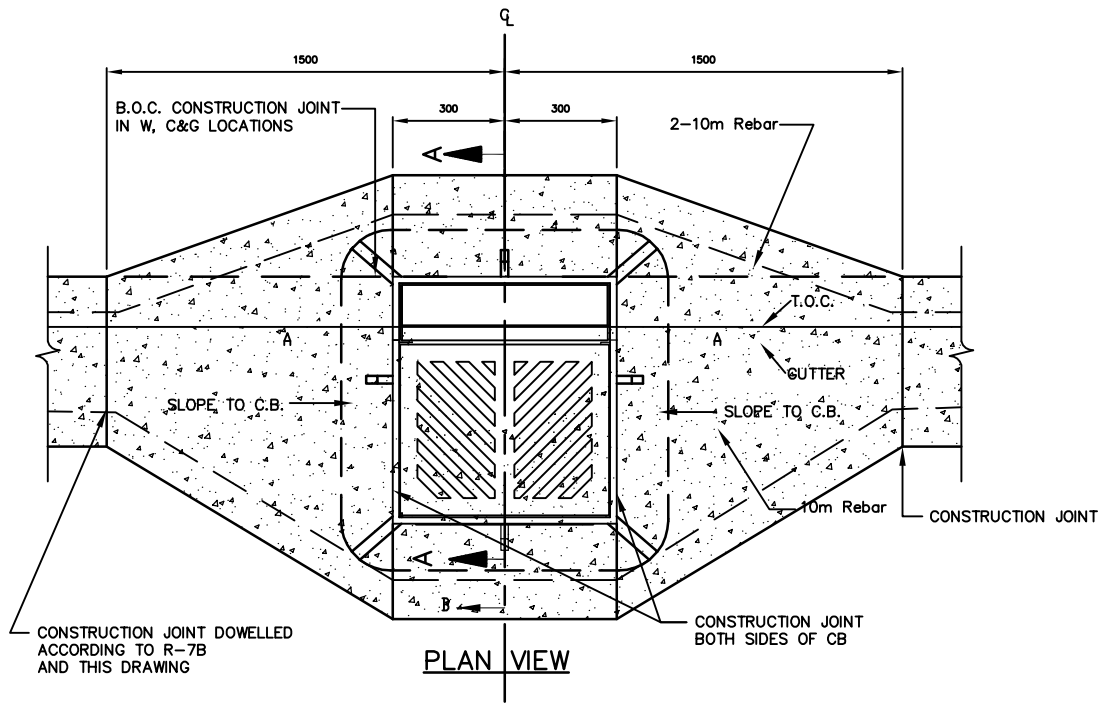
NOTE:

1. ALL DIMENSIONS ARE IN MILLIMETRES UNLESS OTHERWISE NOTED.

Date	Revisions	By
JAN/03	CONSTRUCTION JOINT; TAPER	J.H.
JAN/03	BOX OUT AT F.O.G.	J.H.
JAN/03	TITLE BLOCK	MLG
MAR/10	ADDED REBAR	M.J.
JUL/10	TITLE BLOCK	JJA
JAN/17	SPEC REVISIONS	BW



CONSTRUCTION STANDARDS		
Box-Out for Side Inlet Catch Basins (Rolled Curb)		
Designed By:	Approved: Kelly Wyatt	
Date: JAN/17	Scale: NTS	R-11C
Digital File: STDR-11C.dwg		



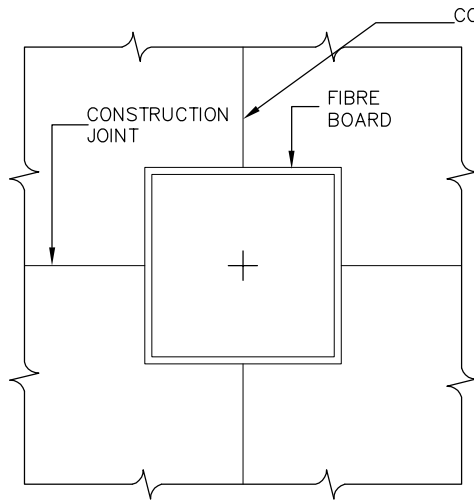
NOTE:

1. ALL DIMENSIONS ARE IN MILLIMETRES UNLESS OTHERWISE NOTED.
2. BACK OF CURB REBAR REQUIRED FOR COLLECTOR AND ARTERIAL STREETS
3. CATCH BASIN TO BE SET BACK 13mm FROM THE FACE OF CURB.

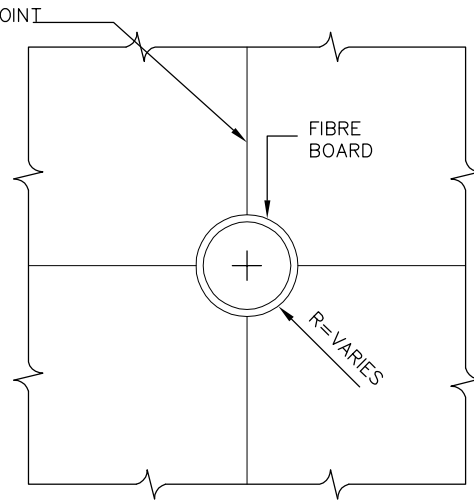
Date	Revisions	By
JAN/17	SPEC REVIEW CHANGES	BW

D:\ME\DRF\DRIFT\STD\LDGD\In\White_Horizons\regr_L_cnyk_p.jpg

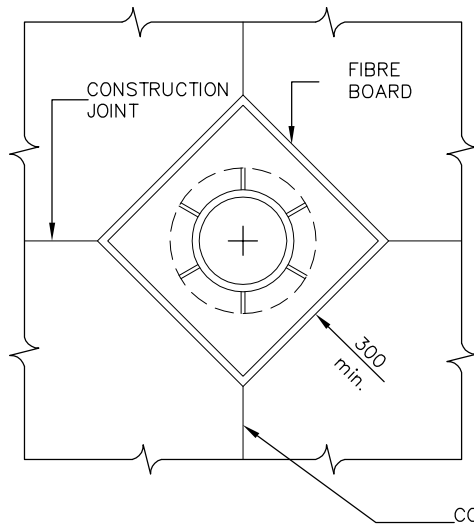
CONSTRUCTION STANDARDS		
Box-Out for Arterial Style Catch Basins (Barrier Curb)		
Designed By:	Approved: Dustin McCall	
Date: DEC/16	Scale: NTS	R-11D
Digital File: STRD-11D (2).dwg		



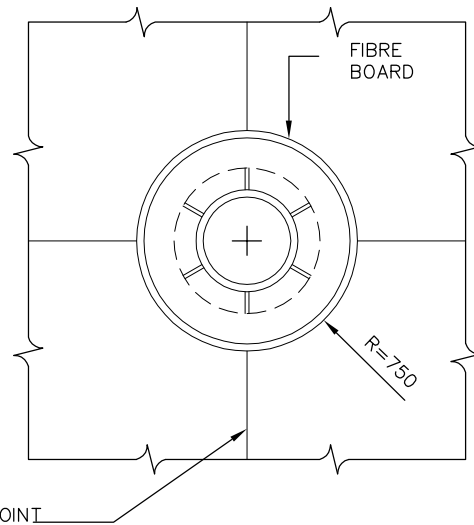
TREE WELL



TRAFFIC/STREET LIGHT BASE

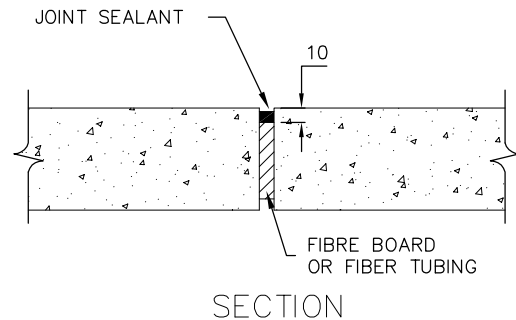


MANHOLE OR CATCHBASIN



NOTES:

1. ALL APPURTENANCES SHALL BE ISOLATED FROM THE CONCRETE BY BOXING OUT WITH EITHER RECTANGULAR OR CIRCULAR CONFIGURATION SHOWN ABOVE. JOINT BOARD OR FILLER MATERIAL SHALL EXTEND COMPLETELY THROUGH THE SLAB.
2. ALL DIMENSIONS ARE IN MILLIMETRES UNLESS OTHERWISE NOTED.

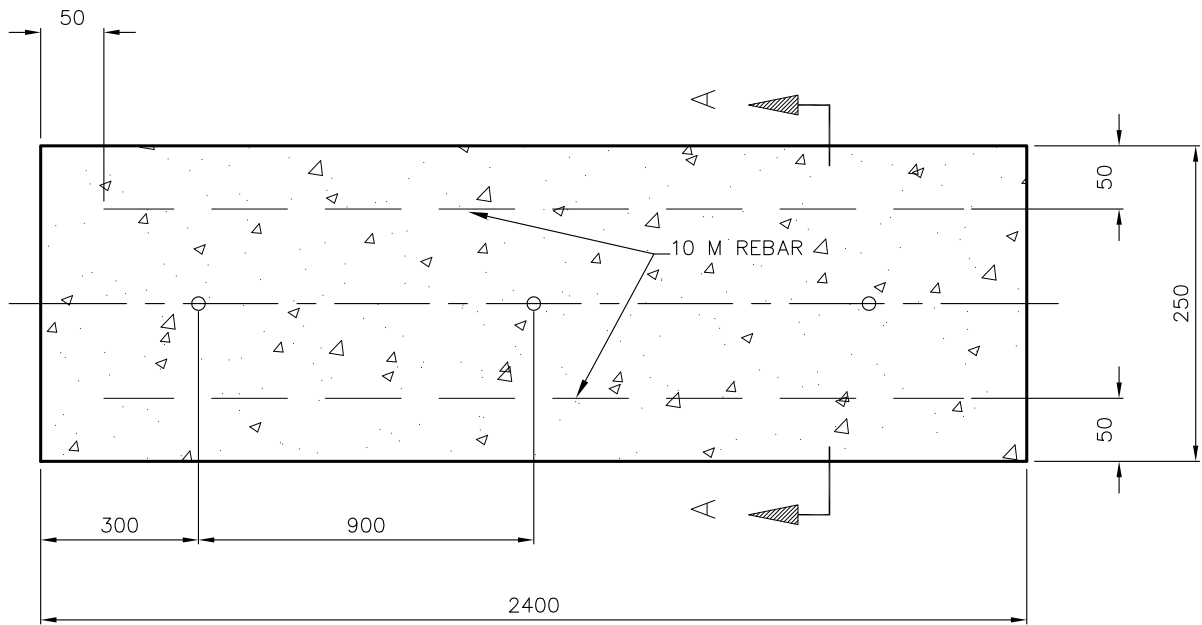


SECTION

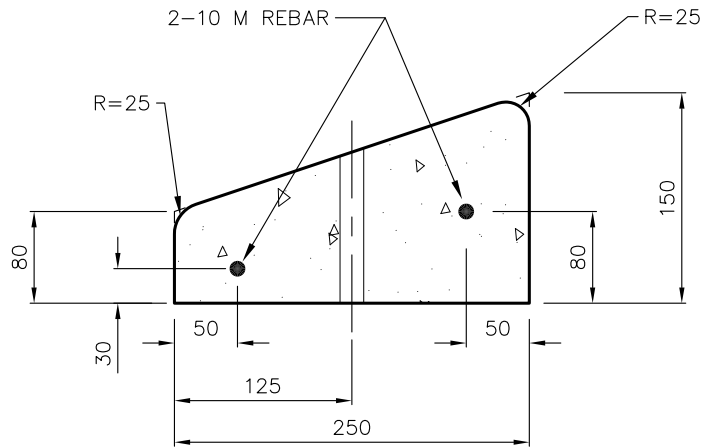
Date	Revisions	By
JAN/03	TITLE BLOCK	MLG
JUL/10	TITLE BLOCK	JJA
JAN/17	SPEC REVISIONS	BW



CONSTRUCTION STANDARDS		
Concrete Isolation Details		
Designed By:	Approved: Dustin McCall	
Date: JAN/17	Scale: NTS	R-12
Digital File: STDR-12.dwg		



PLAN OF CURB



SECTION A-A

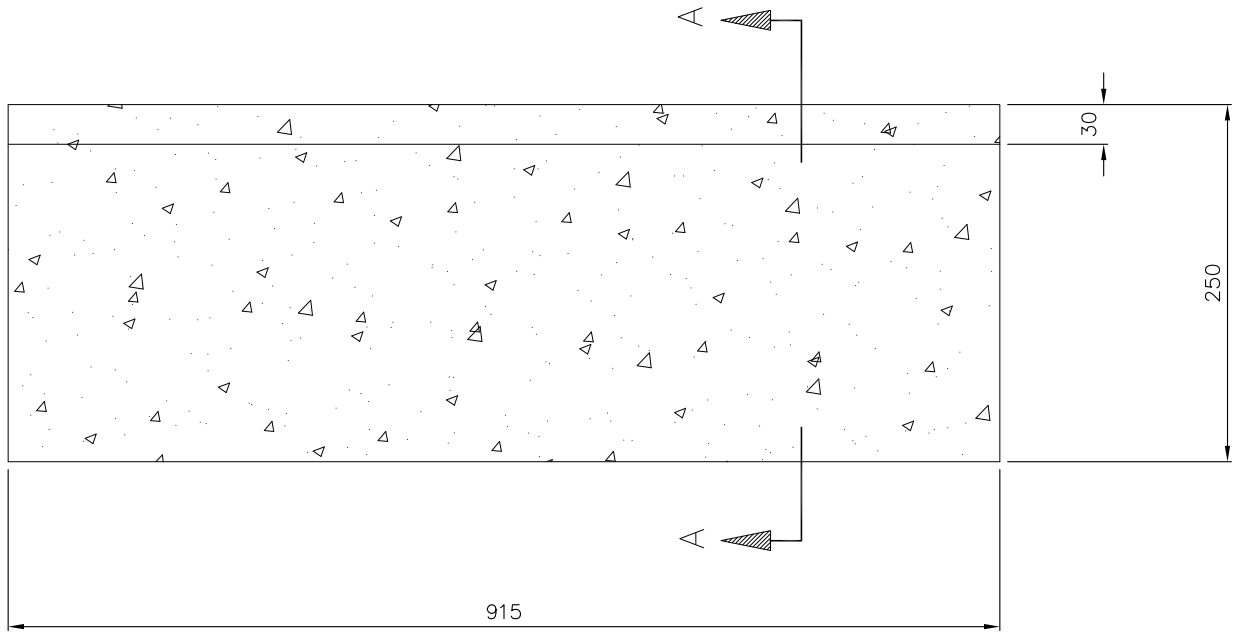
NOTES:

1. ALL DIMENSIONS ARE IN MILLIMETRES UNLESS OTHERWISE NOTED.
2. CURBS SHALL BE SECURED TO THE FOUNDATION. WITH EITHER DRIFT PINS OR EPOXY RESINS. PINS SHALL BE 16Ø x 380 LG.. EACH. PIN SHALL HAVE A SHARP POINT & NO HEAD.

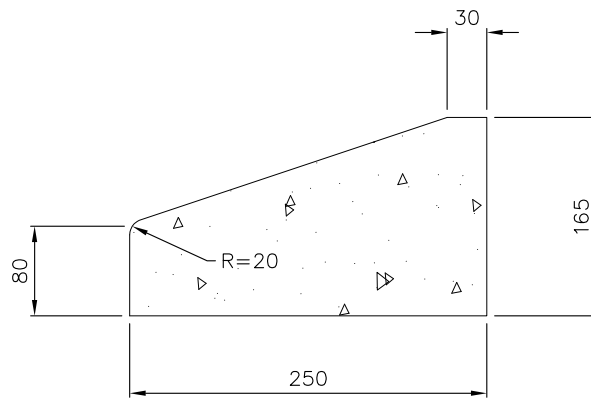
Date	Revisions	By
JAN/98	TITLE BLOCK	MLG
JUL/10	TITLE BLOCK	JJA
SEP/16	SPEC REVIEW CHANGES	TSY



CONSTRUCTION STANDARDS		
Precast Concrete Curb		
Designed By:	Approved: Dustin McCall	
Date: SEP/16	Scale: NTS	R-15
Digital File: STRD-15.dwg		



PLAN OF CURB



SECTION A-A

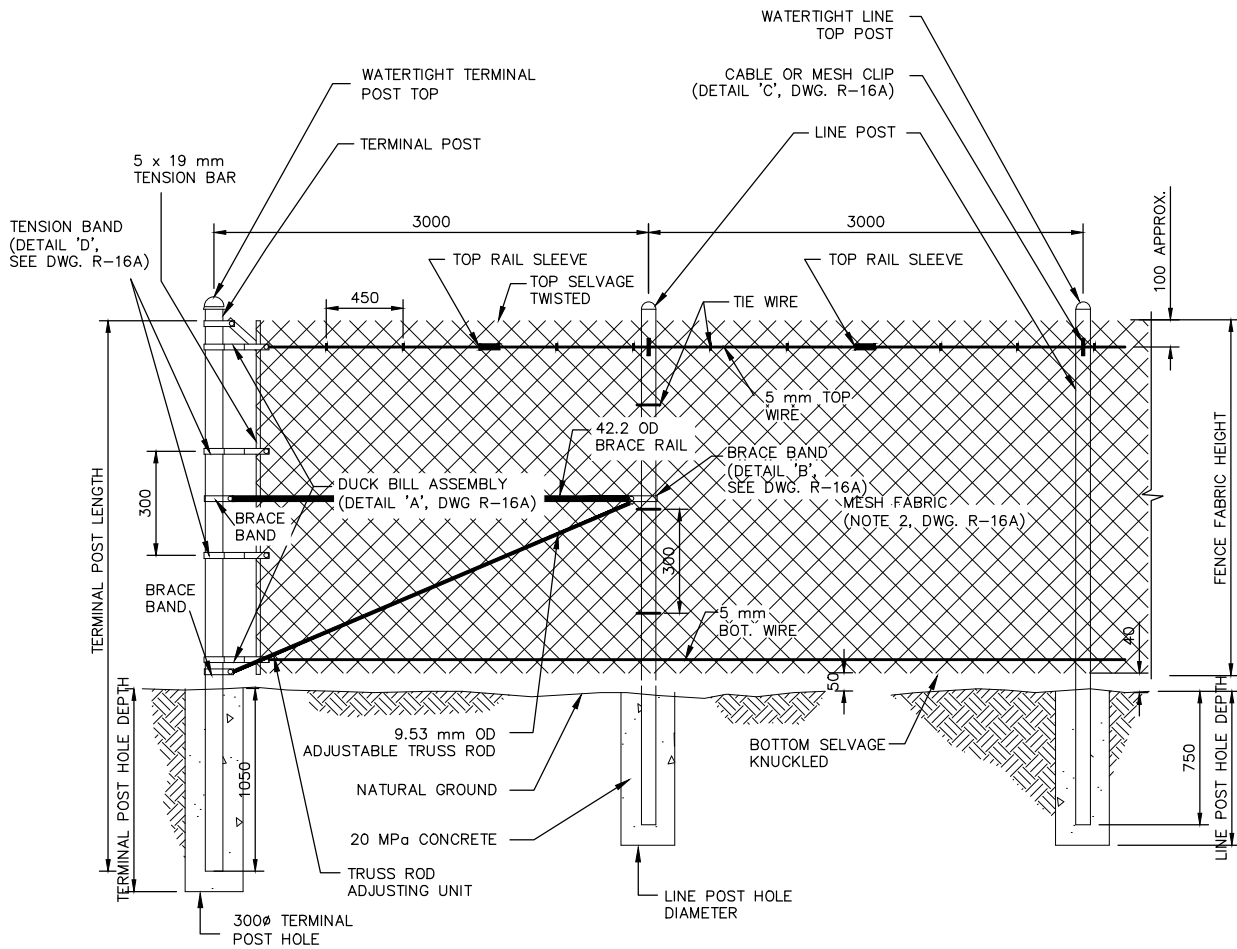
NOTES:

1. ALL DIMENSIONS ARE IN MILLIMETRES UNLESS OTHERWISE NOTED.
2. CURBS SHALL BE SECURED TO THE FOUNDATION WITH EPOXY RESIN APPROVED BY THE ENGINEER.

Date	Revisions	By
JAN/03	TITLE BLOCK	MLG
JUL/10	TITLE BLOCK	JJA
SEP/16	SPEC REVIEW CHANGES	TSY



CONSTRUCTION STANDARDS		
Hydraulically Pressed Concrete Curb		
Designed By:	Approved: Dustin McCall	
Date SEP/16	Scale NTS	R-15A
Digital File: STD-R-15A.dwg		



NOTE:

1. ALL DIMENSIONS ARE IN MILLIMETRES UNLESS OTHERWISE NOTED.

Fence Fabric Height (mm)	Terminal Posts OD (mm)	Terminal Post Length (mm)	Terminal Post Hole Diameter (mm)	Terminal Post Hole Depth (mm)	Line Post OD (mm)	Line Post Length (mm)	Line Post Hole Diameter (mm)	Line Post Hole Depth (mm)
1200	73.00	2300	300	1500	48.30	2000	200	1200
1800	88.90	2900	350	1500	60.30	2600	250	1200
2400	88.90	3500	350	1500	60.30	3200	250	1200

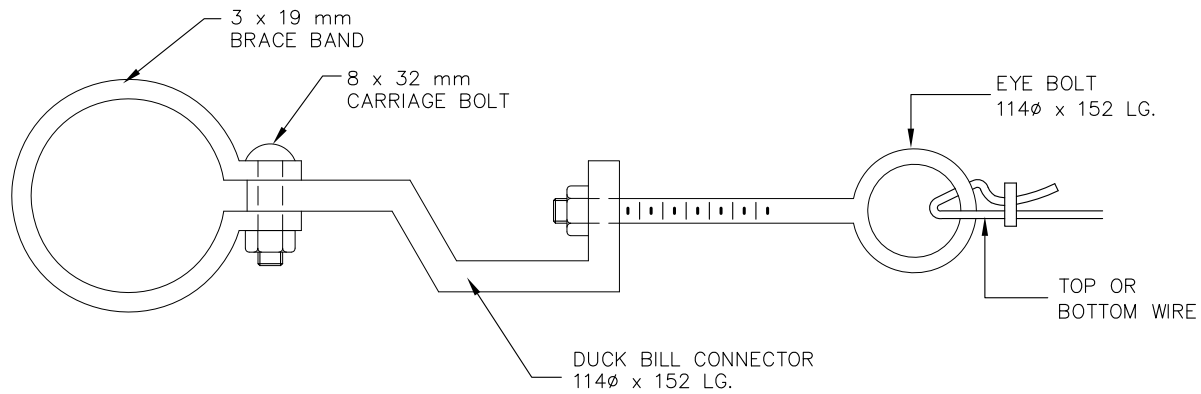
Date	Revisions	By
JAN/03	TITLE BLOCK	MLG
JUL/10	TITLE BLOCK	JJA
JAN/17	SPEC REVIEW CHANGES	TSY
APR/17	UPDATED NOTES	BW

City of Regina | **REGINA**
Infinite Horizons

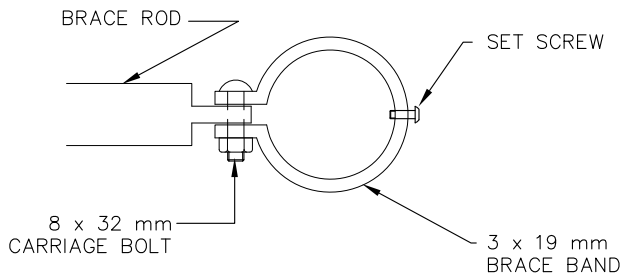
CONSTRUCTION STANDARDS

**Chain Link Fence
Type "A"**

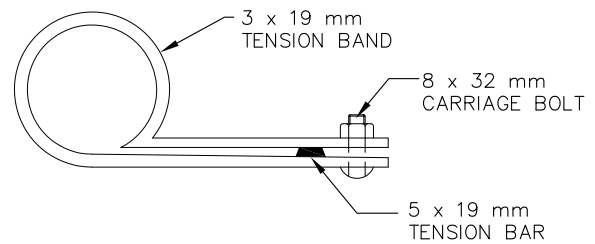
Designed By:	Approved: Dustin McCall
Date: APR/17	Scale: NTS
Digital File: STDR-16.dwg	R-16



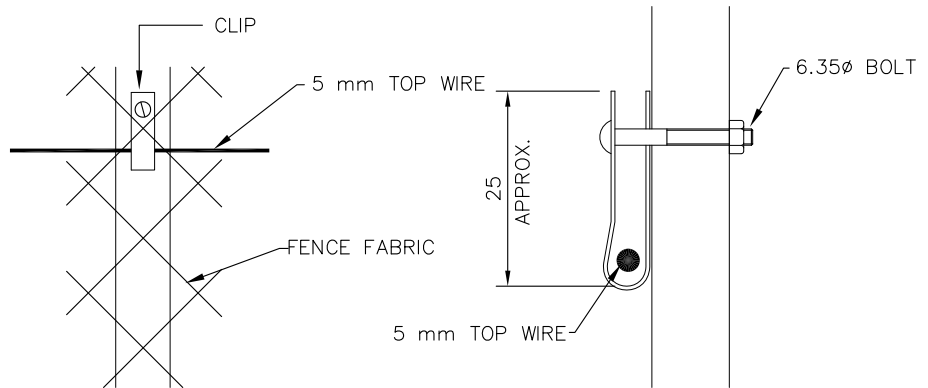
DETAIL "A" - DUCK BILL ASSEMBLY



DETAIL "B" BRACE BAND



DETAIL "D" TENSION BAND



DETAIL "C" CABLE CLIP

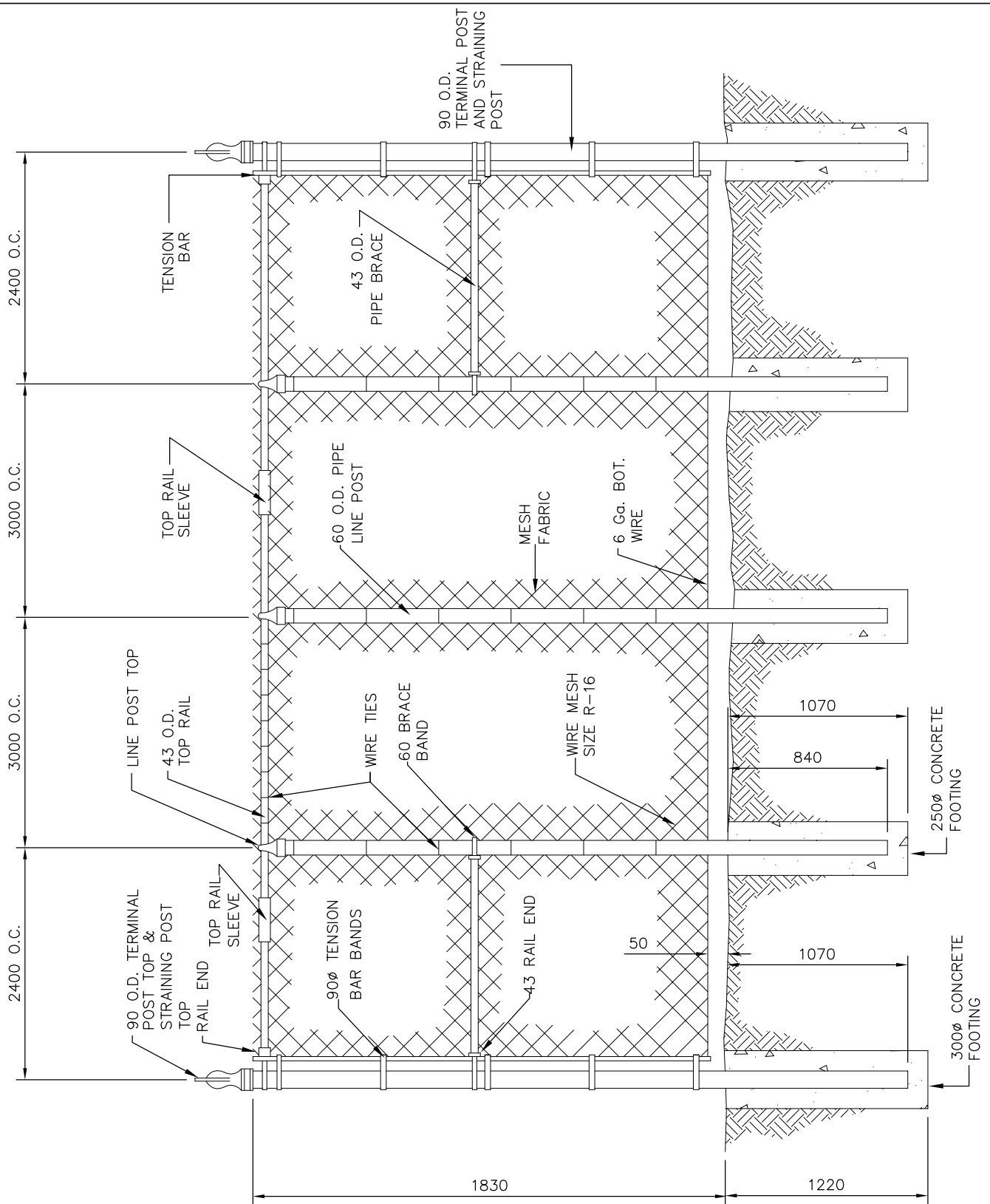
NOTES:

1. MAXIMUM SPACING BETWEEN BRACING SHALL BE 150 METRES
2. TOP WIRE ONLY IS TO BE THREADED THROUGH CLIPS WITH MESH ATTACHED TO WIRE.
3. CHAIN LINK FABRIC SHALL BE FASTENED AT NOT MORE THAN 350 ON LINE POSTS AND NOT MORE THAN 450 ON THE TOP AND BOTTOM WIRE.
4. ALL DIMENSIONS ARE IN MILLIMETRES UNLESS OTHERWISE NOTED.

Date	Revisions	By
JAN/03	TITLE BLOCK	MLG
JUL/10	TITLE BLOCK	JJA
SEP/16	SPEC REVIEW CHANGES	TSY



CONSTRUCTION STANDARDS		
Chain Link Fence Type "A" Banding Details		
Designed By:	Approved: Dustin McCall	
Date: SEP/16	Scale: NTS	R-16A
Digital File: STDR-16A.dwg		



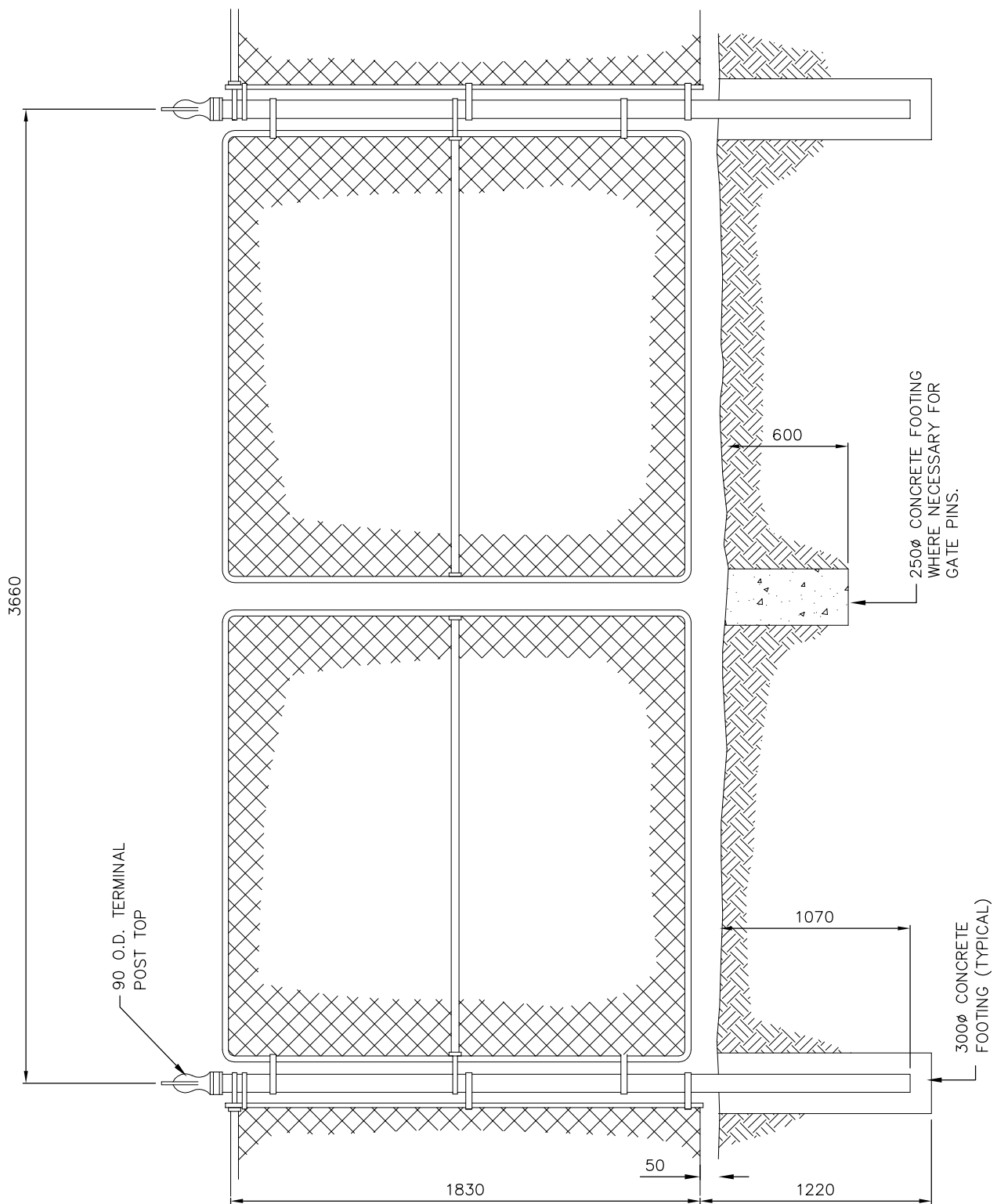
NOTE:

1. ALL DIMENSIONS ARE IN MILLIMETRES UNLESS OTHERWISE NOTED.

Date	Revisions	By
JAN/03	TITLE BLOCK	MLG
JUL/10	TITLE BLOCK	JJA
SEP/16	SPEC REVIEW CHANGES	TSY



CONSTRUCTION STANDARDS		
Chain Link Fence Type "B"		
Designed By:	Approved: Dustin McCall	
Date: OCT/16	Scale: NTS	R-17A
Digital File: STDR-17A.dwg		



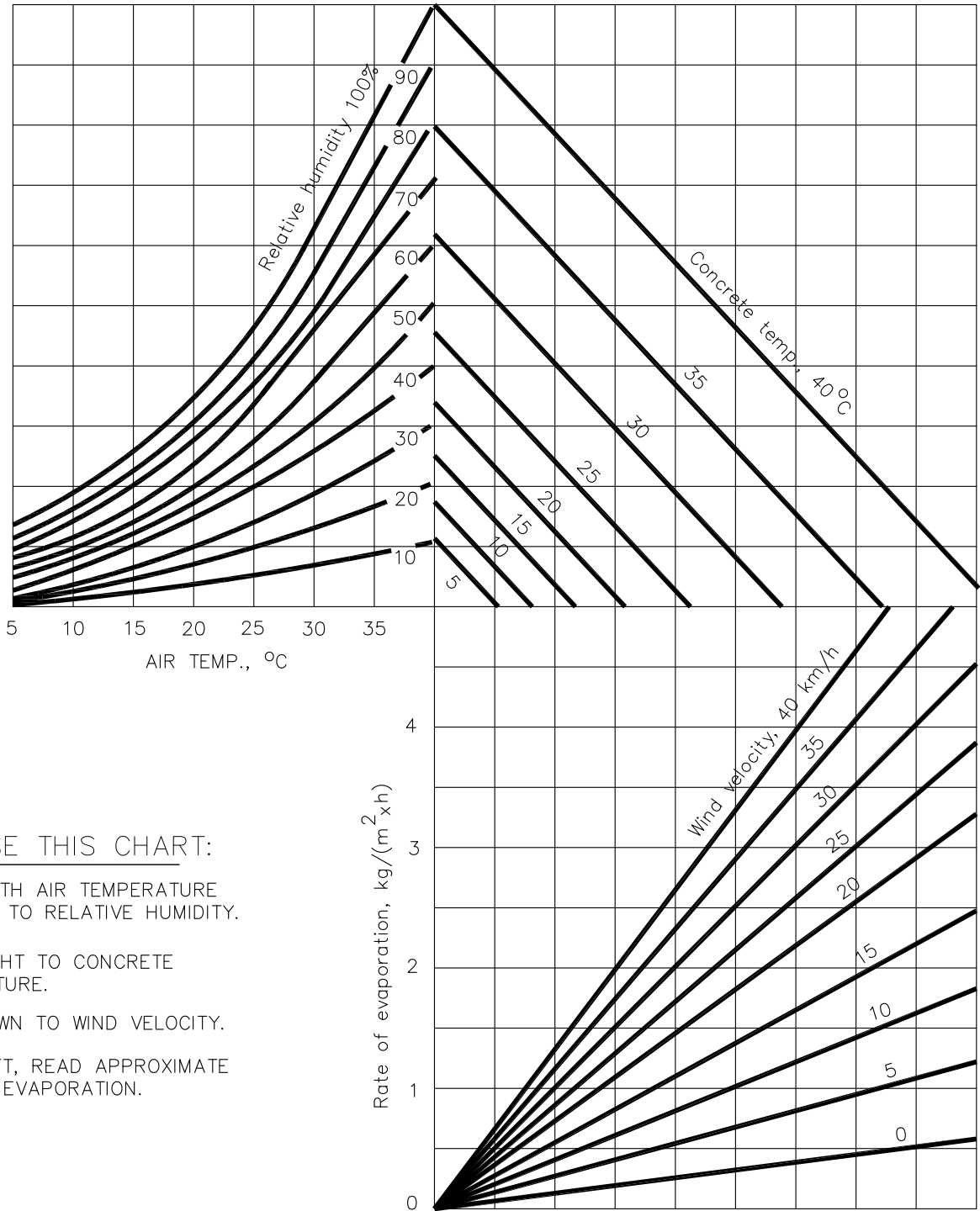
NOTE:

1. ALL DIMENSIONS ARE IN MILLIMETRES UNLESS OTHERWISE NOTED.

Date	Revisions	By
JAN/03	TITLE BLOCK	MLG
JUL/10	TITLE BLOCK	JJA

City of Regina | **REGINA**
Infinite Horizons

CONSTRUCTION STANDARDS		
Gate Detail Type "B"		
Designed By:	Approved: Stella Madsen	
Date: JAN/98	Scale: NTS	R-17B
Digital File: STDR-17B.dwg		



TO USE THIS CHART:

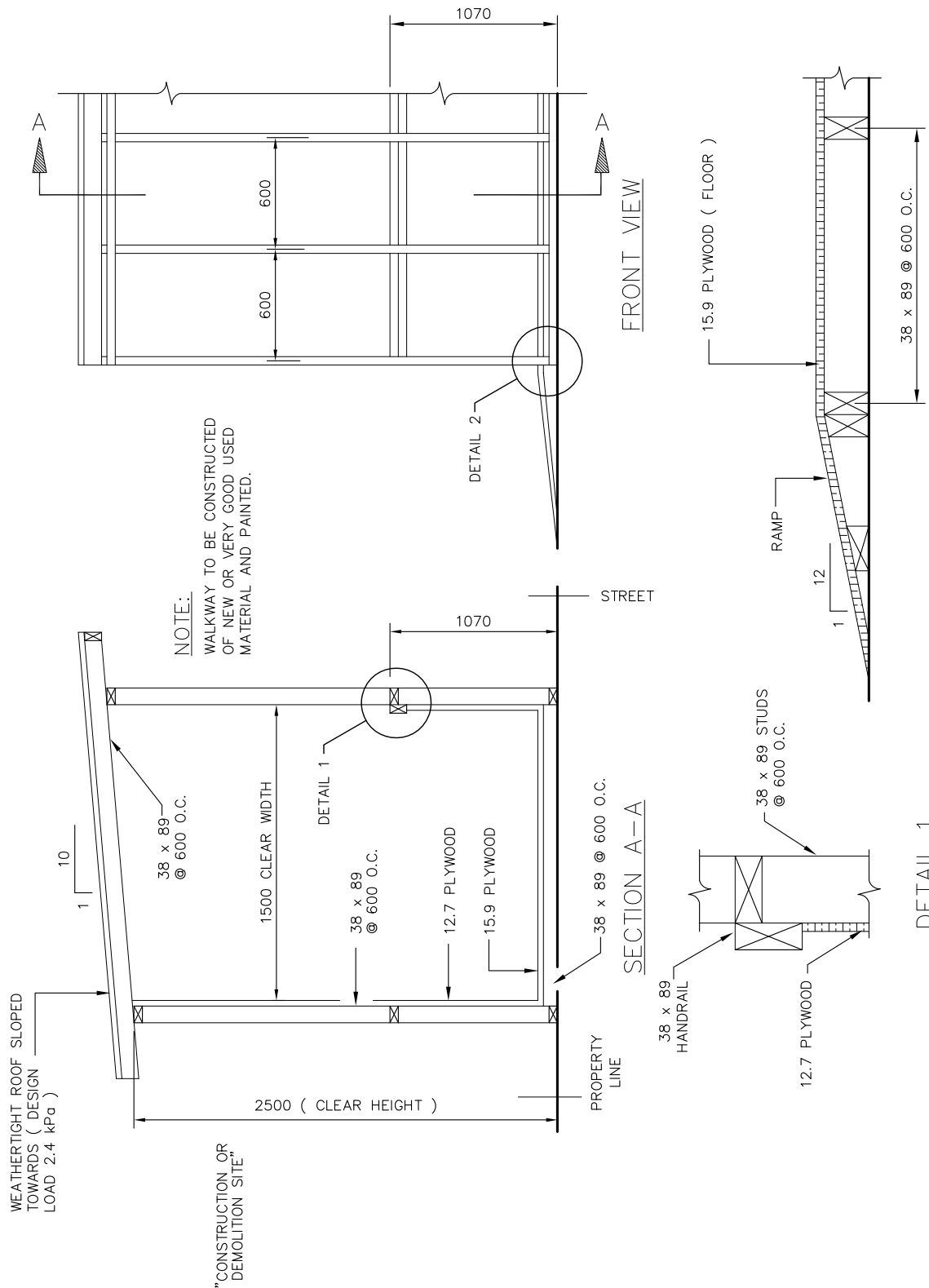
1. ENTER WITH AIR TEMPERATURE
MOVE UP TO RELATIVE HUMIDITY.
2. MOVE RIGHT TO CONCRETE
TEMPERATURE.
3. MOVE DOWN TO WIND VELOCITY.
4. MOVE LEFT, READ APPROXIMATE
RATE OF EVAPORATION.

ADAPTED FROM: DESIGN AND CONTROL OF CONCRETE MIXTURES
CANADIAN PORTLAND CEMENT ASSOCIATION
CANADIAN METRIC EDITION 1984

Date	Revisions	By
JAN/03	TITLE BLOCK	MLG
JUL/10	TITLE BLOCK	JJA
SEP/16	SPEC REVIEW CHANGES	TSY



CONSTRUCTION STANDARDS		
Rate of Evaporation Nomograph		
Designed By:	Approved: Dustin McCall	
Date	Scale	R-18
SEPT/16	NTS	
Digital File:	STDR-18.dwg	



NOTE:
WALKWAY TO BE CONSTRUCTED
OF NEW OR VERY GOOD USED
MATERIAL AND PAINTED.

WEATHERTIGHT ROOF SLOPED
TOWARDS (DESIGN
LOAD 2.4 kPa)

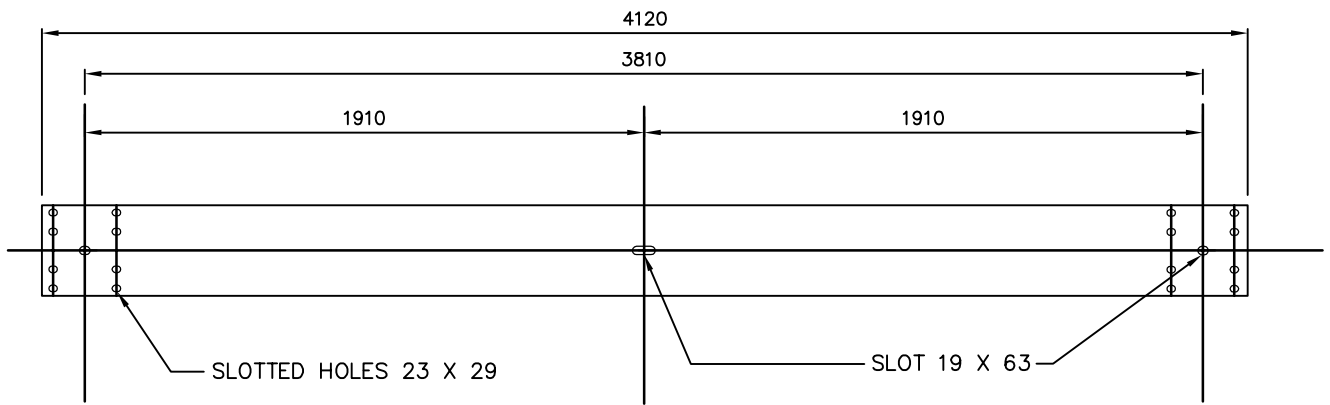
"CONSTRUCTION OR
DEMOLITION SITE"

NOTE:
ALL DIMENSIONS ARE IN MILLIMETRES
UNLESS OTHERWISE NOTED.

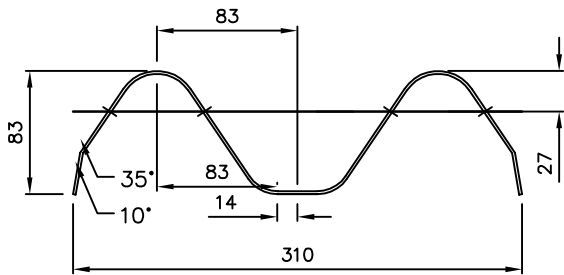
Date	Revisions	By
JAN/03	TITLE BLOCK	MLG
JUL/10	TITLE BLOCK	JJA



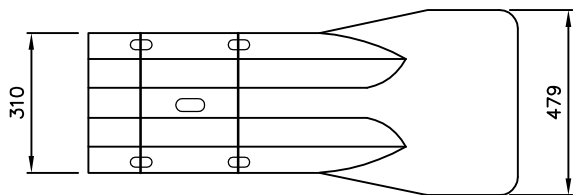
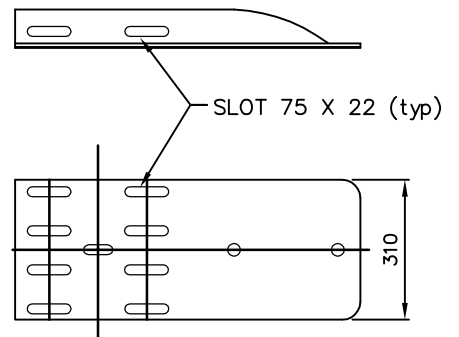
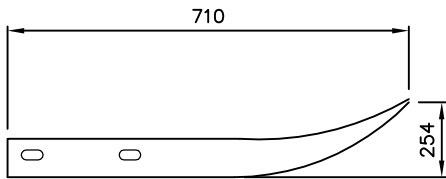
CONSTRUCTION STANDARDS		
Hoarding for Walkway		
Designed By:	Approved:	Dustin McCall
Date	Scale	R-19
OCT/16	NTS	
Digital File:	STDR-19.dwg	



STANDARD W-BEAM

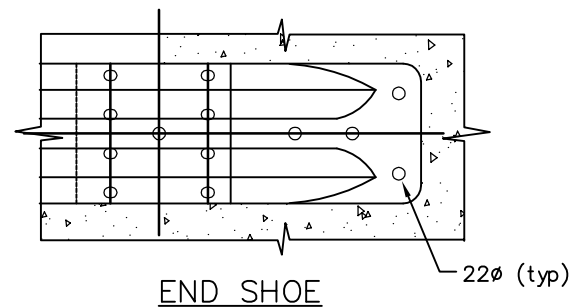


CROSS SECTION



END SECTION

NOTE:
UNLESS OTHERWISE SHOWN ON THE PLANS OR DIRECTED BY THE ENGINEER, REFER TO SASKATCHEWAN MINISTRY OF HIGHWAYS STANDARD PLANS 28710, 28712 AND 28713 FOR TYPICAL W-BEAM INSTALLATION DETAIL.

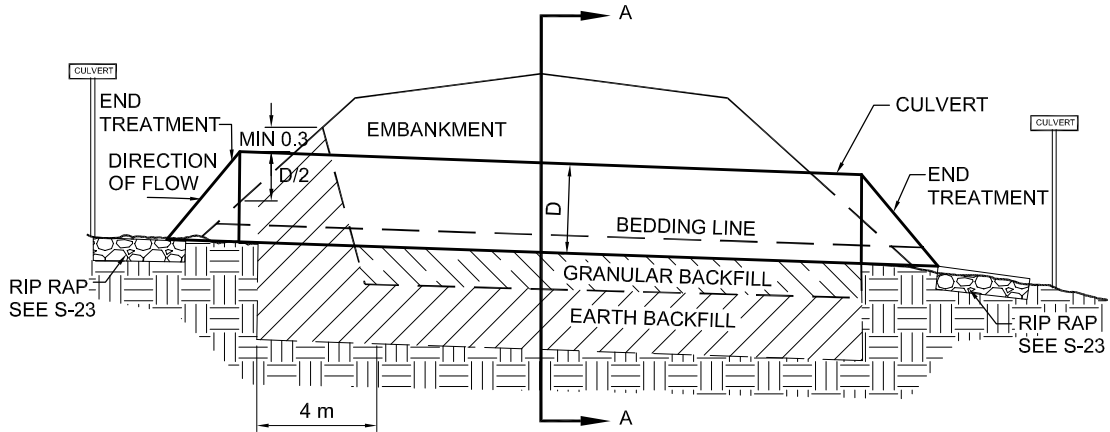


END SHOE

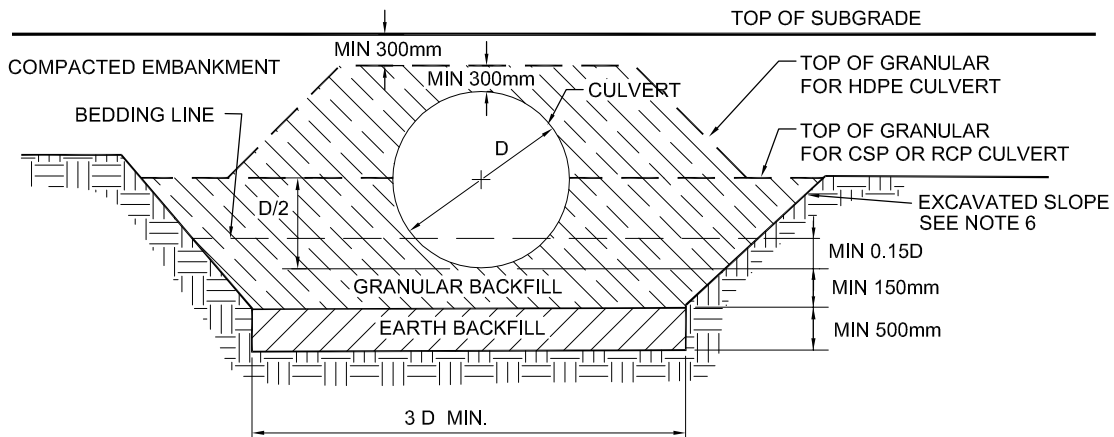
Date	Revisions	By
JUL/10	TITLE BLOCK	JJA
JAN/17	SPEC REVISIONS	BW

D:\VE\DRF\DRFSTD\LDGD\In\Write_Horizons\vegrc_1_Lcnyk_p.jpg

CONSTRUCTION STANDARDS		
W-Beam Elements and End Sections		
Designed By:	Approved: Dustin McCall	
Date JAN/17	Scale NTS	R-20
Digital File: STDR-20.dwg		



ROADWAY CROSS SECTION AT CULVERT CENTRE



SECTION A-A

- NOTES:
1. THE ABOVE INSTALLATION DETAILS SHALL APPLY TO ALL ROADBED CULVERTS AND CULVERTS IN APPROACHES.
 2. FOR ARCH AND ELLIPTICAL CULVERTS, SUBSTITUTE R = RISE FOR D=DIAMETER.
 3. BACKFILLING AND COMPACTION OF EARTH AND GRANULAR BACKFILL IS TO BE COMPLETED UP TO THE BEDDING LINE PRIOR TO SHAPING THE BED TO FIT THE BOTTOM OF THE PIPE.
 4. EARTH MATERIAL SHALL CONSIST OF CLAY MATERIAL COMPACTED TO AT LEAST 95% STANDARD PROCTOR DRY DENSITY \pm 3% OF OPTIMUM MOISTURE CONTENT.
 5. THE GRANULAR BACKFILL SHALL BE TYPE 32 OR TYPE 33 GRANULAR BASE COURSE COMPACTED TO 95% STANDARD PROCTOR DRY DENSITY.
 6. THE EXCAVATED SLOPE SHALL BE 2 HORIZONTAL TO 1 VERTICAL UNLESS OTHERWISE APPROVED OR DIRECTED BY THE ENGINEER.
 7. CULVERT SIGN POST: 2.4m LONG, STEEL T (38x38x4), EMBED MIN 1.0m, PAINTED YELLOW c/w ALUMINUM SIGN, BLACK LETTERING ON ORANGE BACKGROUND (150X 250). INSTALL SIGN 3m FROM END OF CULVERT, ON EDGE OF DITCH, OR AS DIRECTED BY THE ENGINEER..

Date	Revisions	By
JUL/10	TITLE BLOCK	JJA
JAN/17	SPEC REVISION UPDATE	BW

City of Regina | **REGINA**
Infinite Horizons

CONSTRUCTION STANDARDS		
Culvert Installation		
Designed By:	B. Wright	Approved: Dustin McCall
Date:	Jan/17	Scale: NTS
Digital File:	STDR-21.dwg	R-21